



Sennheiser Documentation App



or online at
www.sennheiser.com/download
evolution wired



e 614

Quick Guide

Kurzanleitung
Guide rapide
Guía rápida
Guía de inicio rápido
Guía rápido
Beknopte handleiding
Krótka instrukcja obsługi
Snabbguide

Kvikstartguide

Pikaohje
Γρήγορος οδηγός
Kısa Kılavuz
Краткая инструкция
快速指南
快速使用指南
クイックガイド
퀵 가이드

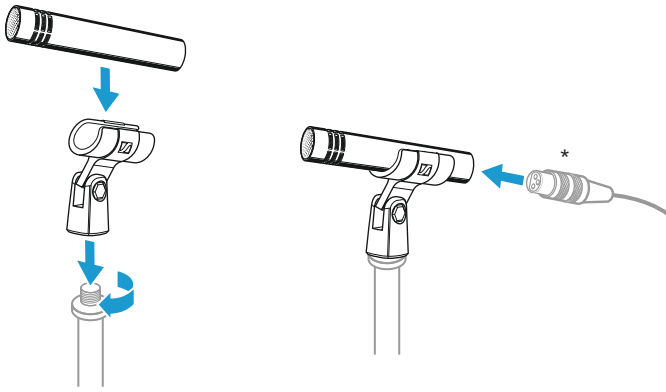
Sennheiser electronic GmbH & Co. KG

Am Labor 1, 30900 Wedemark, Germany
www.sennheiser.com

Printed in Germany
Publ. 05/23, 581327/A04

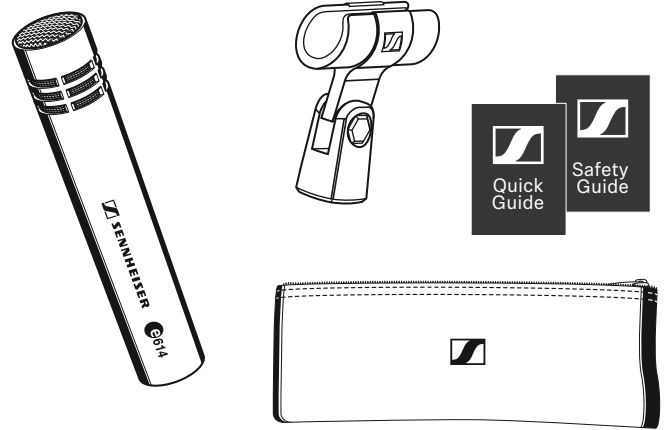
SENNHEISER

Setup



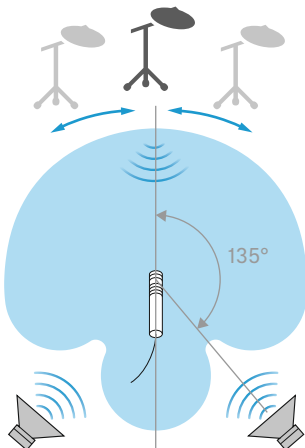
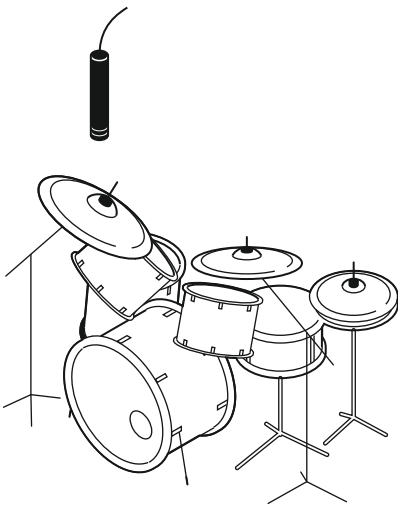
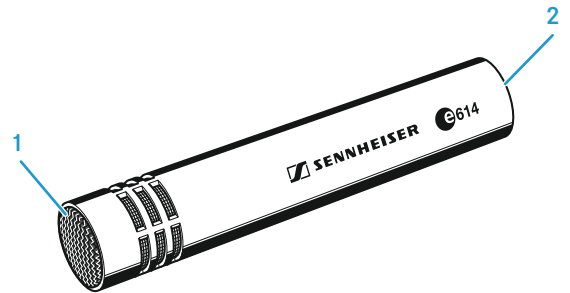
*XLR-3 cable not included

In the box

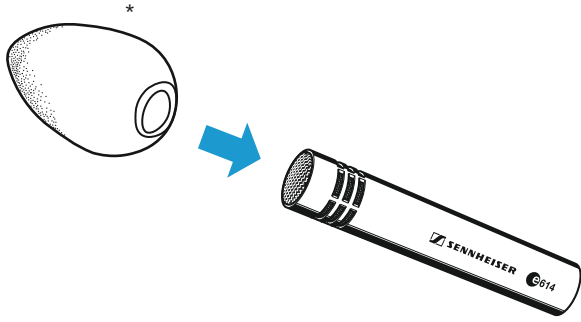


Overview

- 1 Sound inlet basket
- 2 XLR-3 connector

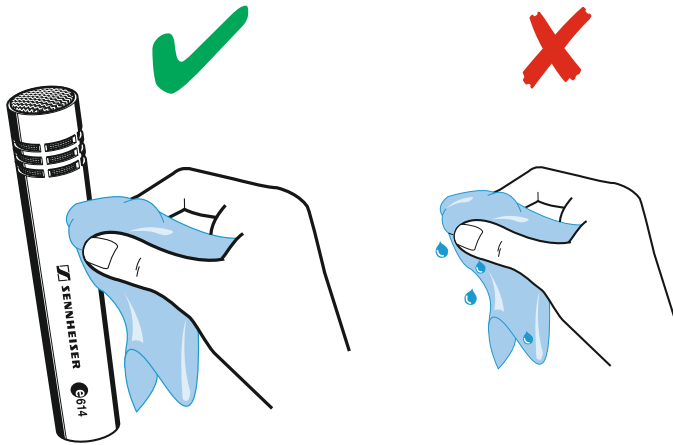


Accessory



*MZW 64 not included

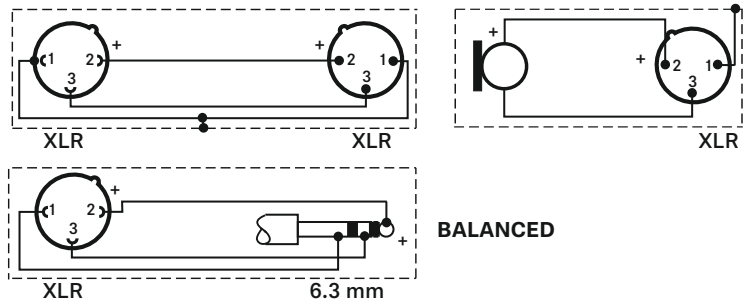
Cleaning



Specifications

Transducer principle	pre-polarised condenser microphone
Frequency response	40 - 20,000 Hz
Pick-up pattern	super-cardioid
Sensitivity (free field, at 1 kHz)	3 mV/Pa
Nominal impedance (at 1 kHz)	50 Ω
Min. terminating impedance	1 kΩ
Max. sound pressure level (at 1 kHz)	139 dB
Equivalent noise level	24 dB(A)
weighted as per CCIR	35 dB
Phantom powering	12 - 48 V
Connector	XLR-3
Dimensions	∅ 20 x 100 mm
Weight	73 g

Connector assignment



Polar pattern and frequency response

