

**Sennheiser Documentation App**



or online at  
[www.sennheiser.com/download](http://www.sennheiser.com/download)  
 evolution wired\_



**e 904**

**Quick Guide**

Kurzanleitung  
 Guide rapide  
 Guida rapida  
 Guía de inicio rápido  
 Guia rápido  
 Beknopte handleiding  
 Krótka instrukcja obsługi  
 Snabbguide

**Kvikstartguide**

Pikaohje  
 Γρήγορος οδηγός  
 Kısa Kılavuz  
 Краткая инструкция  
 快速指南  
 快速使用指南  
 クイックガイド  
 퀵 가이드

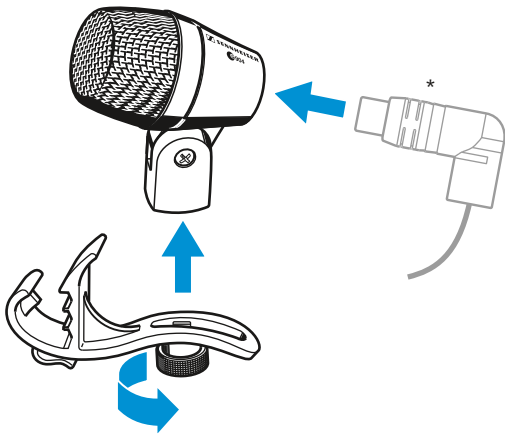
Sennheiser electronic GmbH & Co. KG

Am Labor 1, 30900 Wedemark, Germany  
[www.sennheiser.com](http://www.sennheiser.com)

Publ. 06/19, 581334/A02

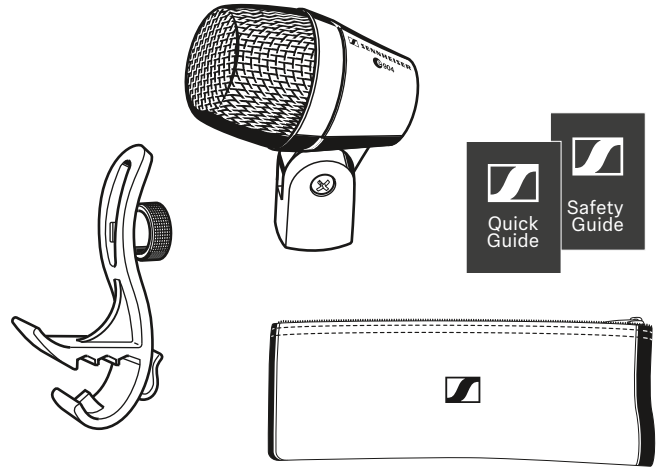
**SENNHEISER**

**Setup**

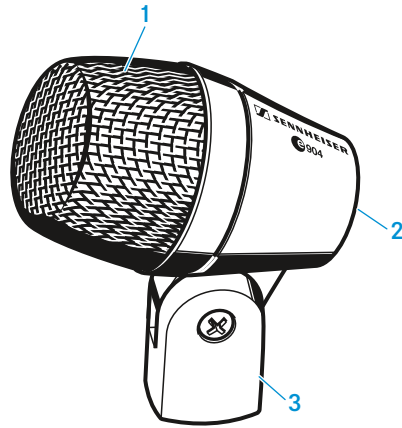


\*XLR-3 cable not included

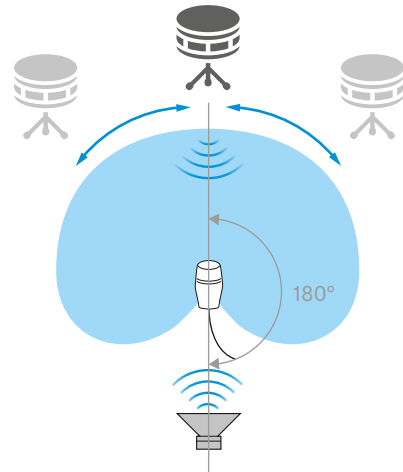
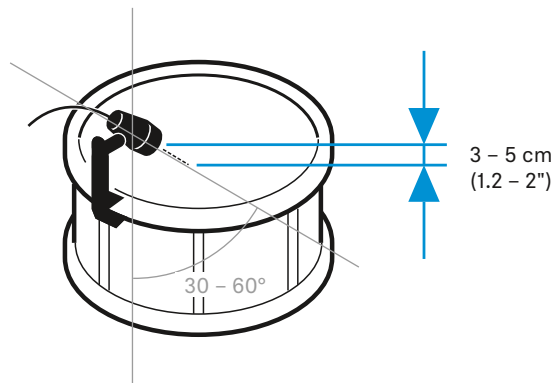
**In the box**



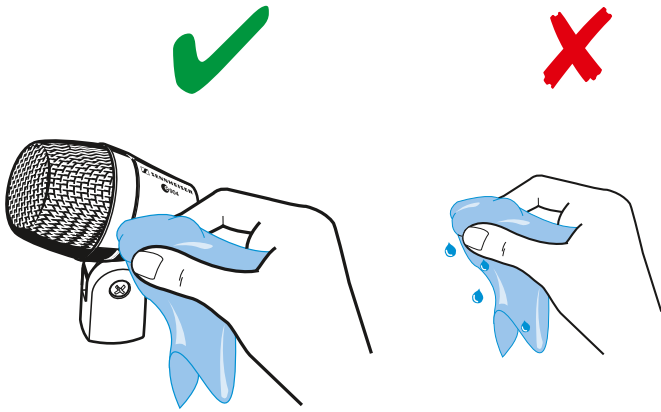
**Overview**



- 1 Sound inlet basket
- 2 XLR-3 connector
- 3 Integral stand mount



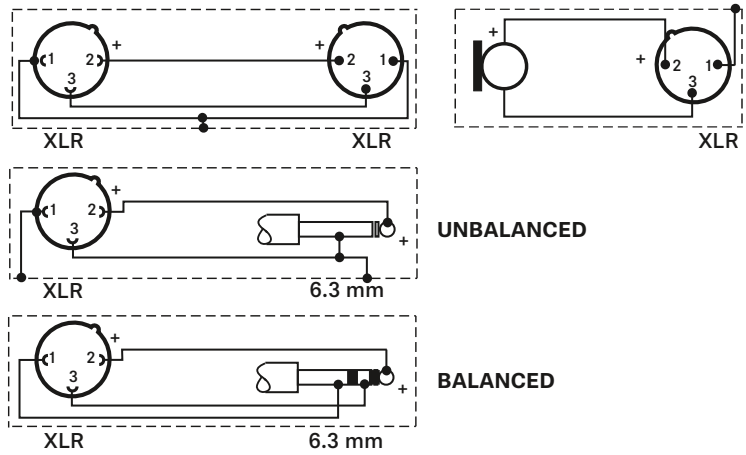
## Cleaning



## Specifications

Transducer principle	dynamic
Frequency response	40 - 18,000 Hz
Pick-up pattern	cardioid
Sensitivity (free field, at 1 kHz)	2.0 mV/Pa
Nominal impedance (at 1 kHz)	350 Ω
Min. terminating impedance	1 kΩ
Connector	XLR-3
Dimensions	∅ 41 x 63 mm
Weight	125 g

## Connector assignment



## Polar pattern and frequency response

