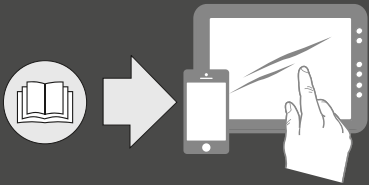




EK 2000 IEM

- Quick Guide
- Kurzanleitung
- Guide rapide
- Guida rapida
- Guía de inicio rápido
- Guia rápido
- Beknopte handleiding
- Krótká instrukcja obsługi
- Snabbguide
- Kort vejledning
- Pikaohje
- Γρήγορος οδηγός
- Kısa Kılavuz
- Краткая инструкция
- 快速指南
- 快速使用指南
- クイックガイド
- 퀵 가이드

SENNHEISER



Sennheiser Documentation App



or online at
www.sennheiser.com/download

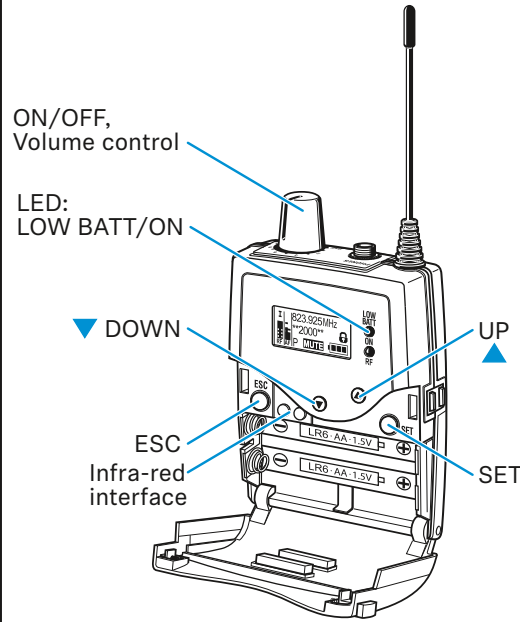
Q EK 2000 IEM_

Sennheiser electronic GmbH & Co. KG

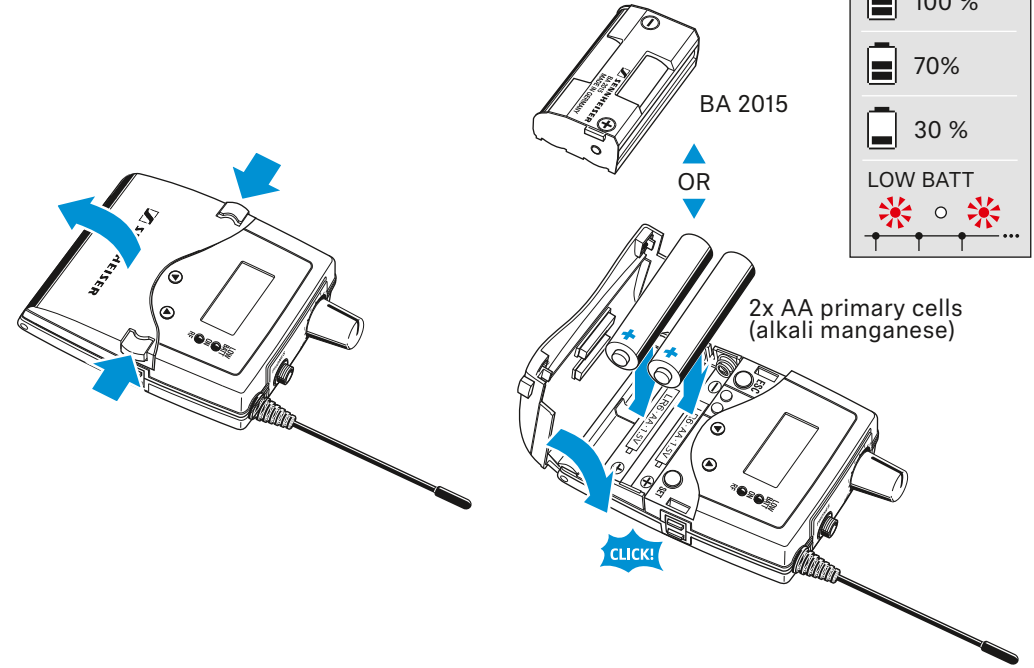
Am Labor 1, 30900 Wedemark, Germany
www.sennheiser.com

Printed in Germany, Publ. 09/18, 575853/A01

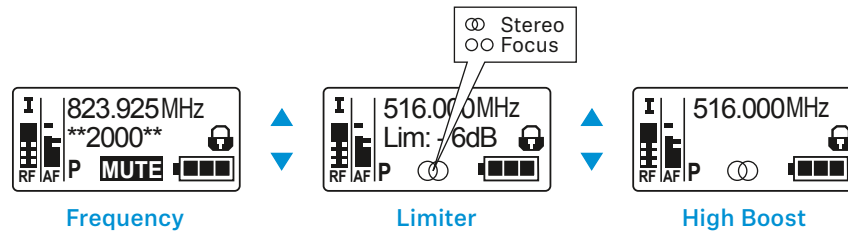
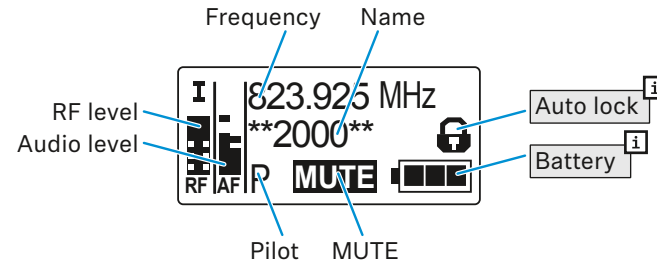
Operating elements



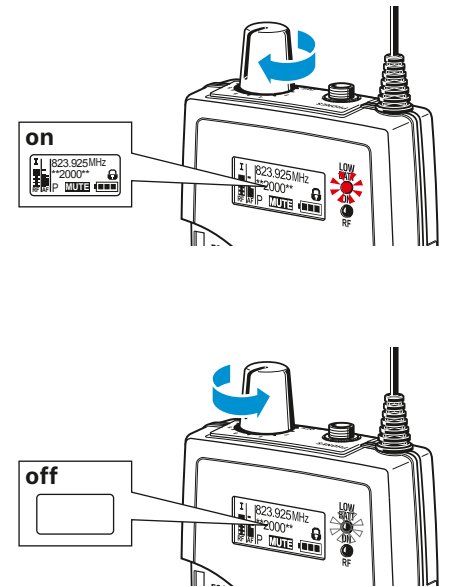
Battery



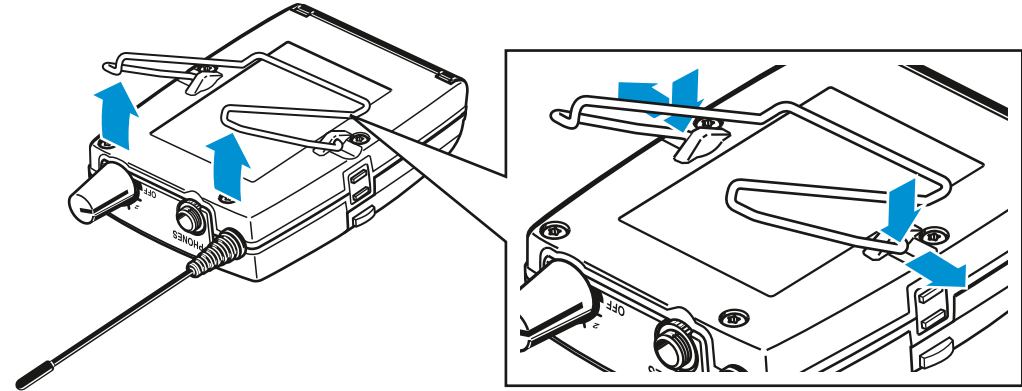
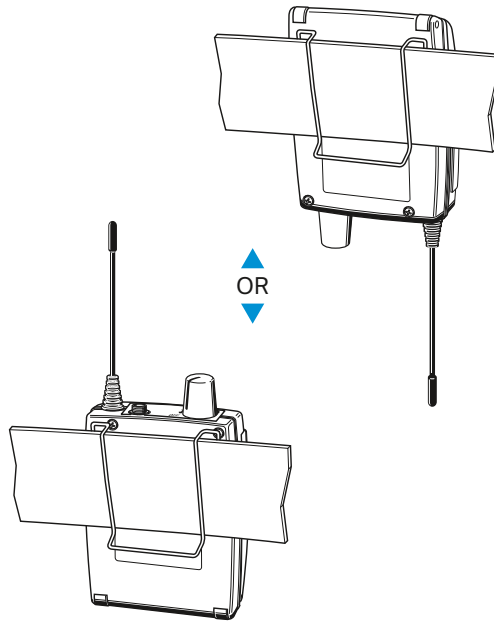
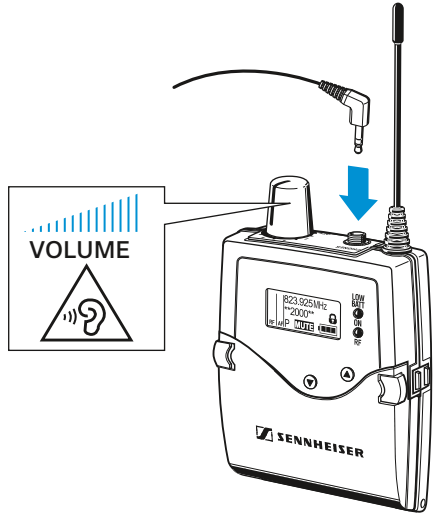
Home screens



On/Off



Setup



Menu

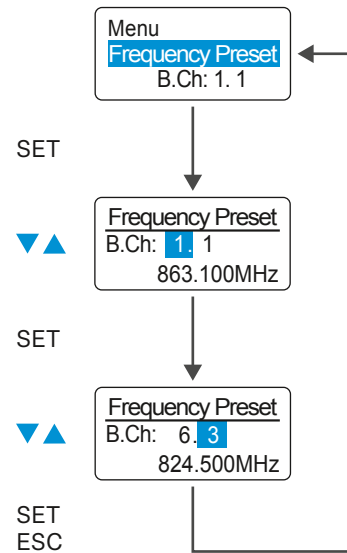
Main menu „Menu“

- Squelch
- Easy Setup
- Frequency Preset
- Name
- Balance
- Mode
- High Boost
- Auto Lock
- Advanced**
- Exit

Extended menu „Advanced Menu“

- Tune
- Pilot Tone
- Limiter
- Volume Boost
- LCD Contrast
- Engineer Mode
- Reset
- Software Revision
- Exit

Changing settings



Auto lock

