



# MKH 40-P48

Quick Guide  
 Kurzanleitung  
 Guide de démarrage rapide  
 Guida rapida  
 Instrucciones resumidas  
 Instruções resumidas  
 Beknopte gebruiksaanwijzing  
 Krótka instrukcja obsługi  
 Snabbguide

Kort vejledning  
 Pikaohje  
 Γρήγορος οδηγός  
 Kısa Kılavuz  
 Краткая инструкция  
 快速指南  
 快速使用指南  
 クイックガイド  
 퀵 가이드

**SENNHEISER**



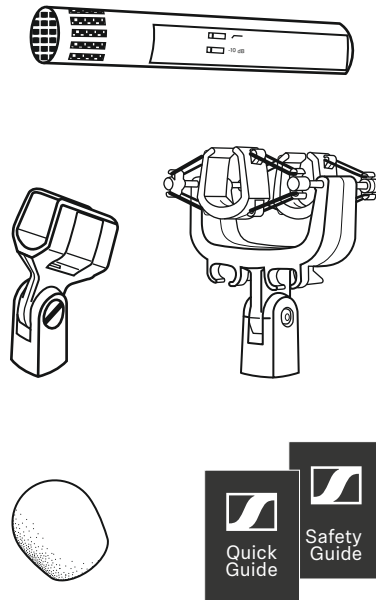
Online at  
[www.sennheiser.com/download](http://www.sennheiser.com/download)  
 Q MKH 40-P48\_

Sennheiser electronic GmbH & Co. KG

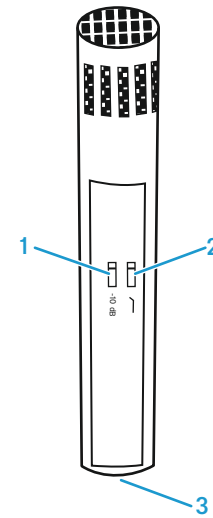
Am Labor 1, 30900 Wedemark, Germany  
[www.sennheiser.com](http://www.sennheiser.com)

Printed in Germany, Publ. 09/19, 583988/A01

## In the box

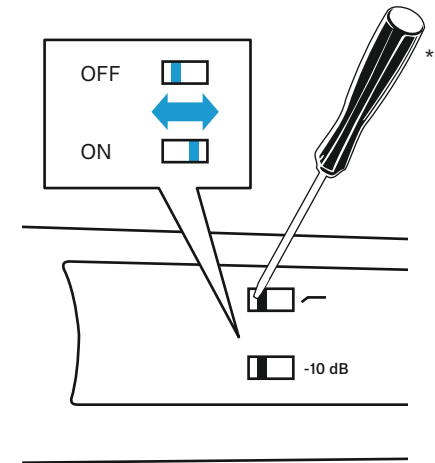


## Overview

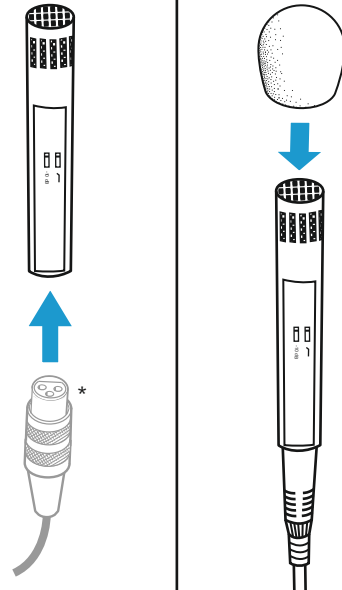


- 1 switch for preattenuation **Adjusting**
- 2 switch for roll-off-filter
- 3 XLR-3 connector

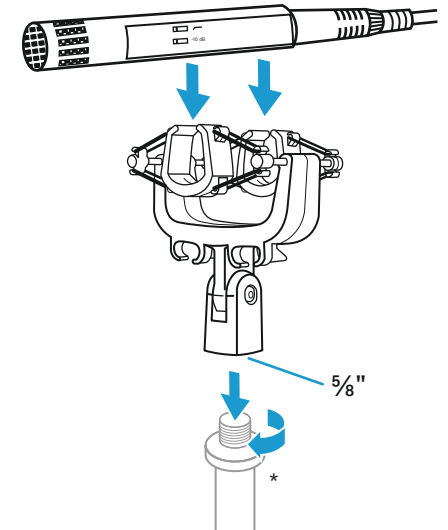
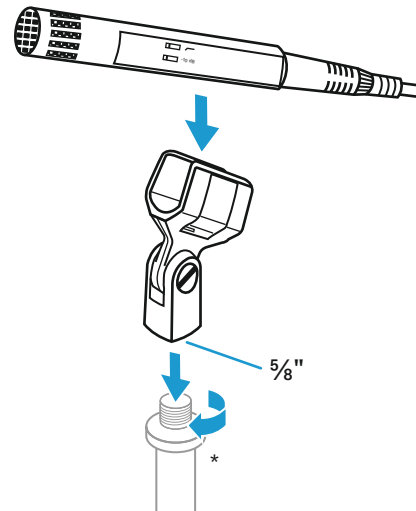
## Adjusting



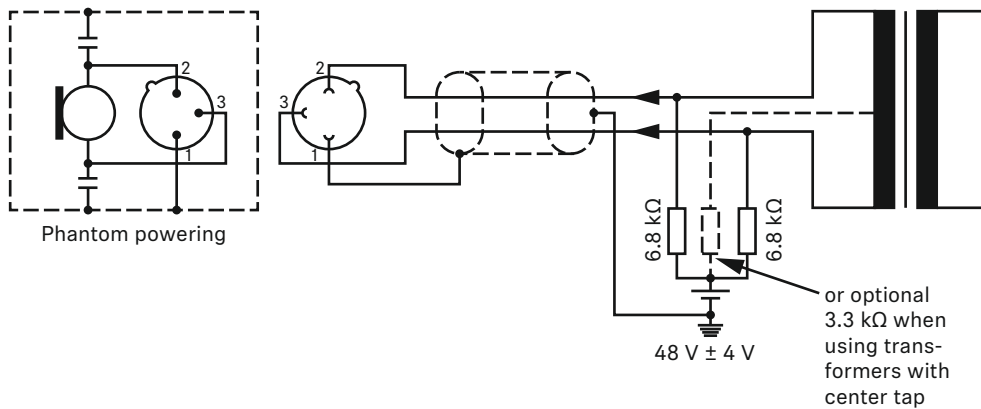
## Setup



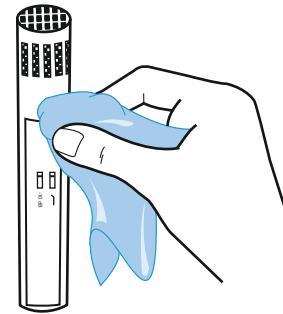
\* not included



## Power supply and connections

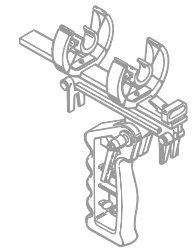


## Cleaning

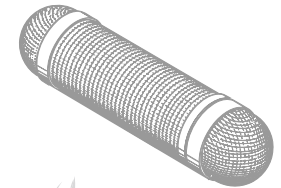


## Accessories

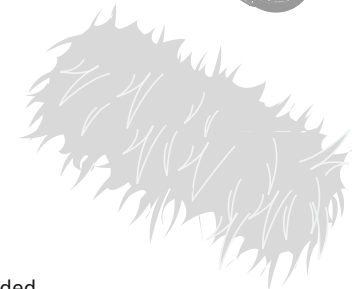
MZS 20-1\*



MZS 20-1\*



MZH 20-1\*



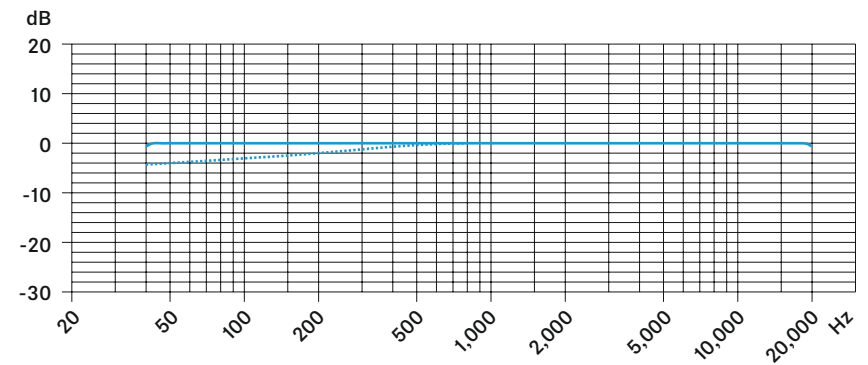
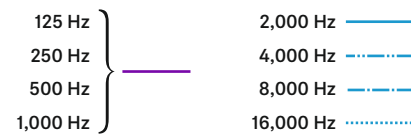
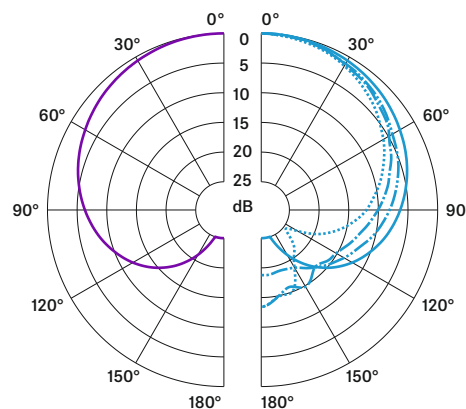
\* not included

## Specifications

Pick-up pattern	cardioid
Frequency response	40 - 20,000 Hz
Sensitivity (free field, no load, 1 kHz)	25 (8) mV/Pa $\pm$ 1 dB
Max. SPL	134 (142) dB / 1 kHz
Equivalent noise level	
DIN IEC 651	12 (18) dB(A)
CCIR 468-3	21 (27) dB
Nominal impedance	150 $\Omega$
Min. terminating impedance	1 k $\Omega$
Phantom powering	48 V $\pm$ 4 V
Current consumption	2 mA
Dimension	$\varnothing$ 25 x 153 mm
Weight	approx. 100 g

Values in () with attenuator switched on (-10 dB)

## Polar pattern and frequency response



· · · · · Effect of switchable roll-off filter

