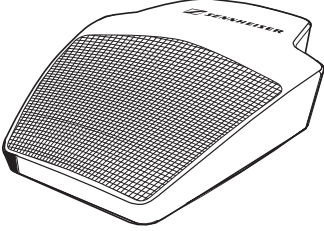


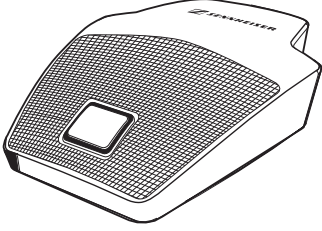
MEB 114 | MEB 114-S

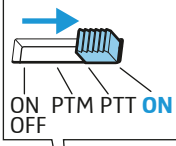
SpeechLine Wired Connection Guide

MEB 114

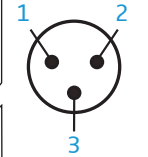


MEB 114-S

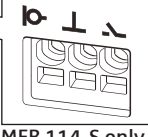




ON PTT ON
OFF



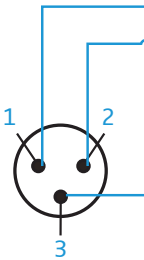
1 ground
2 microphone +
3 microphone -



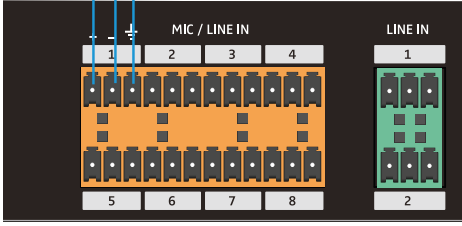
MEB 114-S only

⊕ logic in
⊥ ground
⌋ logic out


Sennheiser TeamConnect



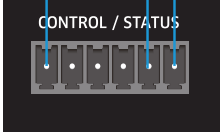
MEB 114 & MEB 114-S



TeamConnect Central Unit




MEB 114-S



TeamConnect Combo

Biamp Nexia / Tesira

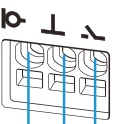


MEB 114 & MEB 114-S

Biamp Logic Box


Logic inputs are activated via contact-closure or 5V TTL
Logic outputs are open-collector (40V / 500mA max. per output)

INPUTS				OUTPUTS															
1	2	3	4	5	6	7	8	9	10	11	12	13	14	15	16	17	18	19	20
20	19	18	17	16	15	14	13	12	11	10	9	8	7	6	5	4	3	2	1

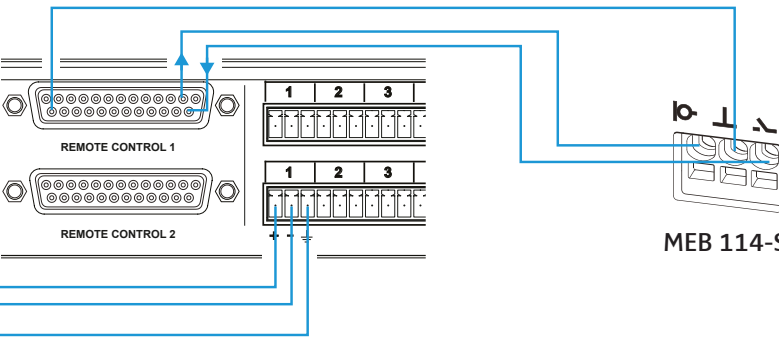


MEB 114-S

POLYCOM SoundStructure



MEB 114 & MEB 114-S



REMOTE CONTROL 1
REMOTE CONTROL 2

MEB 114-S