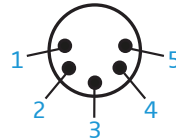
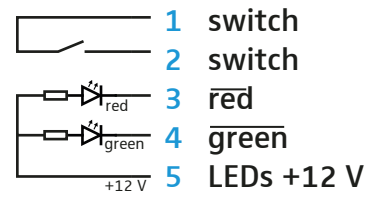
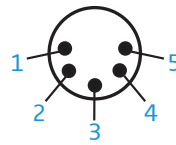
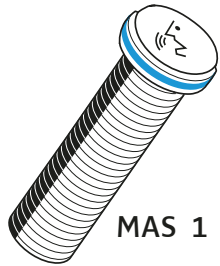


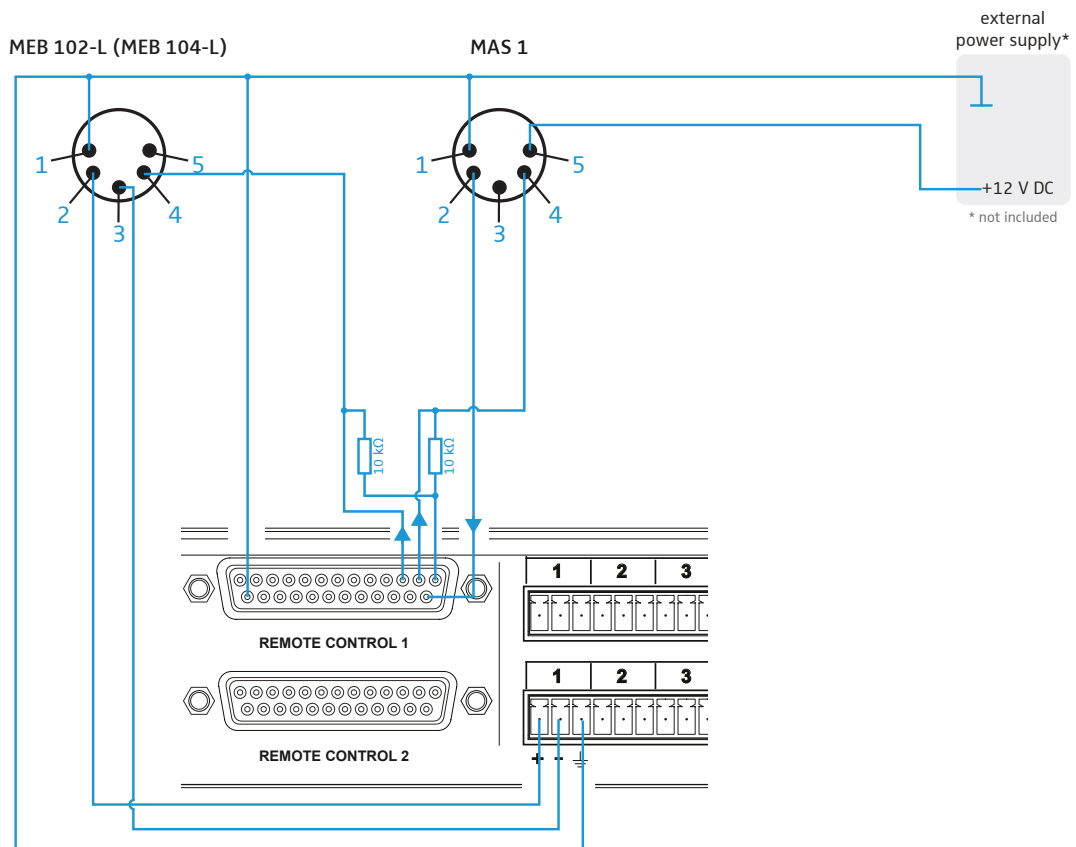
# MAS 1 | MEB 102-L (104-L)

## SpeechLine Wired Connection Guide



- 1 ground
- 2 microphone +
- 3 microphone -
- 4 LED Ctrl (H -> green, L -> red)
- 5 LED Ctrl (H -> red)

### POLYCOM SoundStructure



Sennheiser electronic GmbH & Co. KG

Am Labor 1, 30900 Wedemark, Germany  
www.sennheiser.com

TI 1026 v1.0