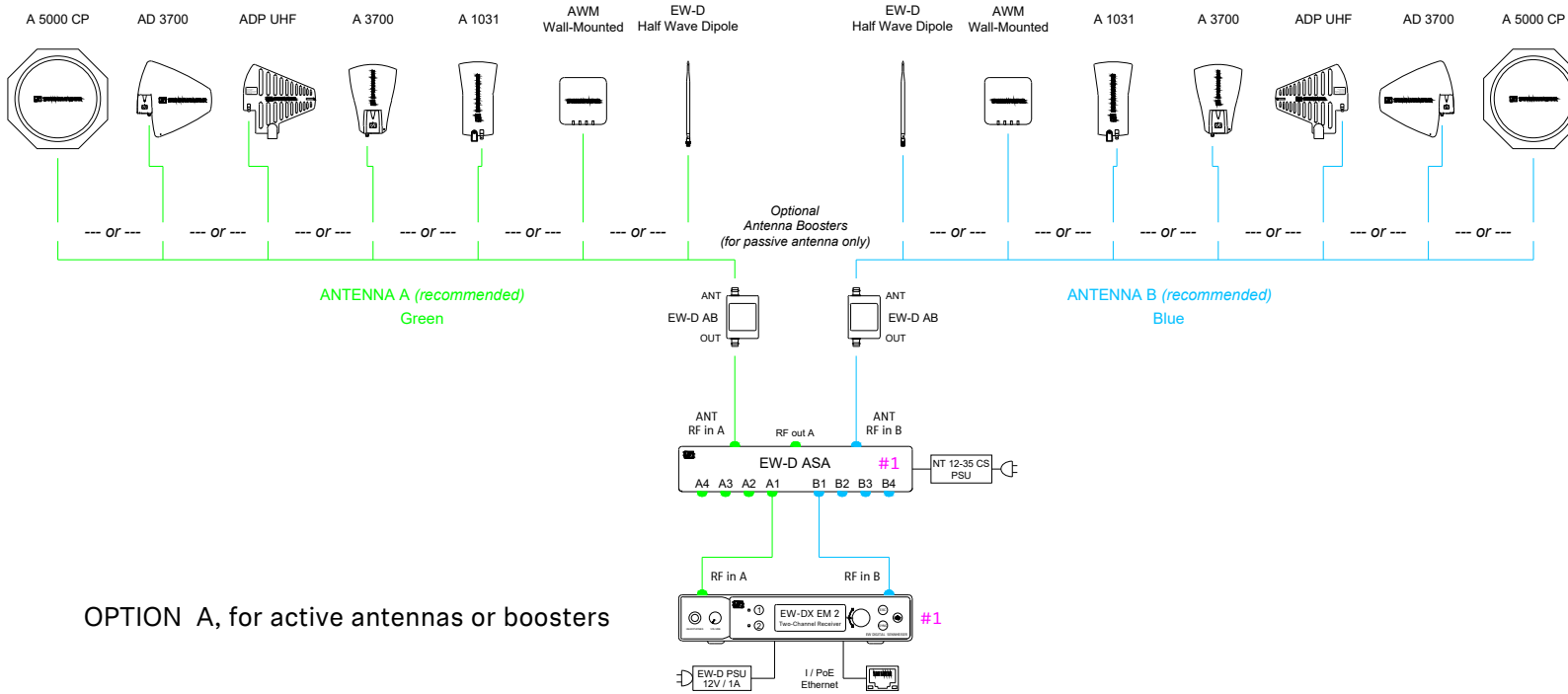
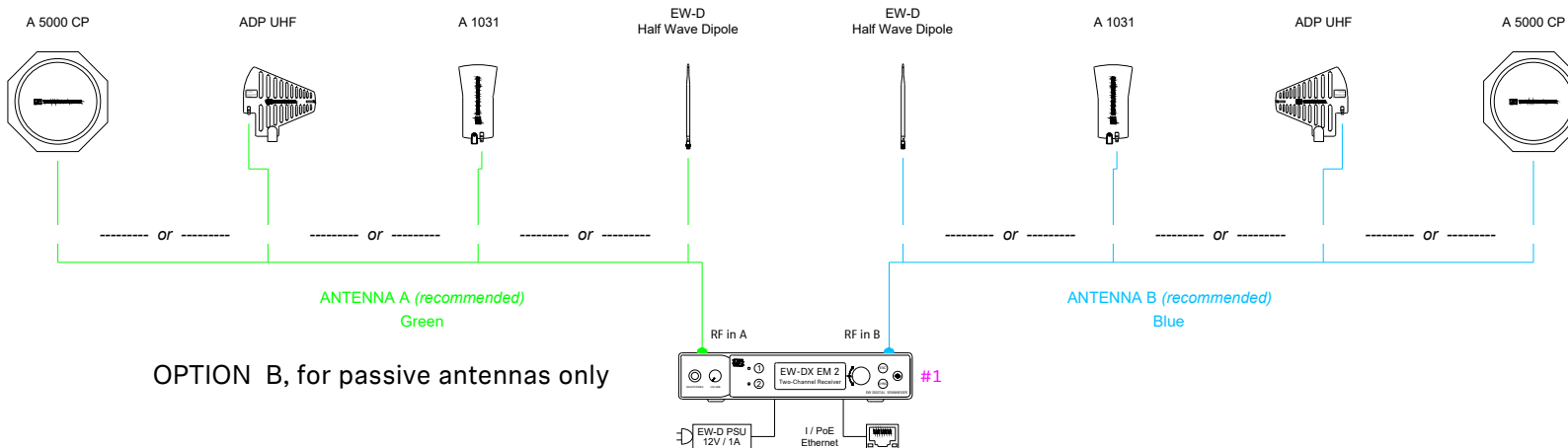


→ For optimal diversity operation, it is recommended to use the same antenna model and equal coax cable length on both sides



OPTION A, for active antennas or boosters



OPTION B, for passive antennas only

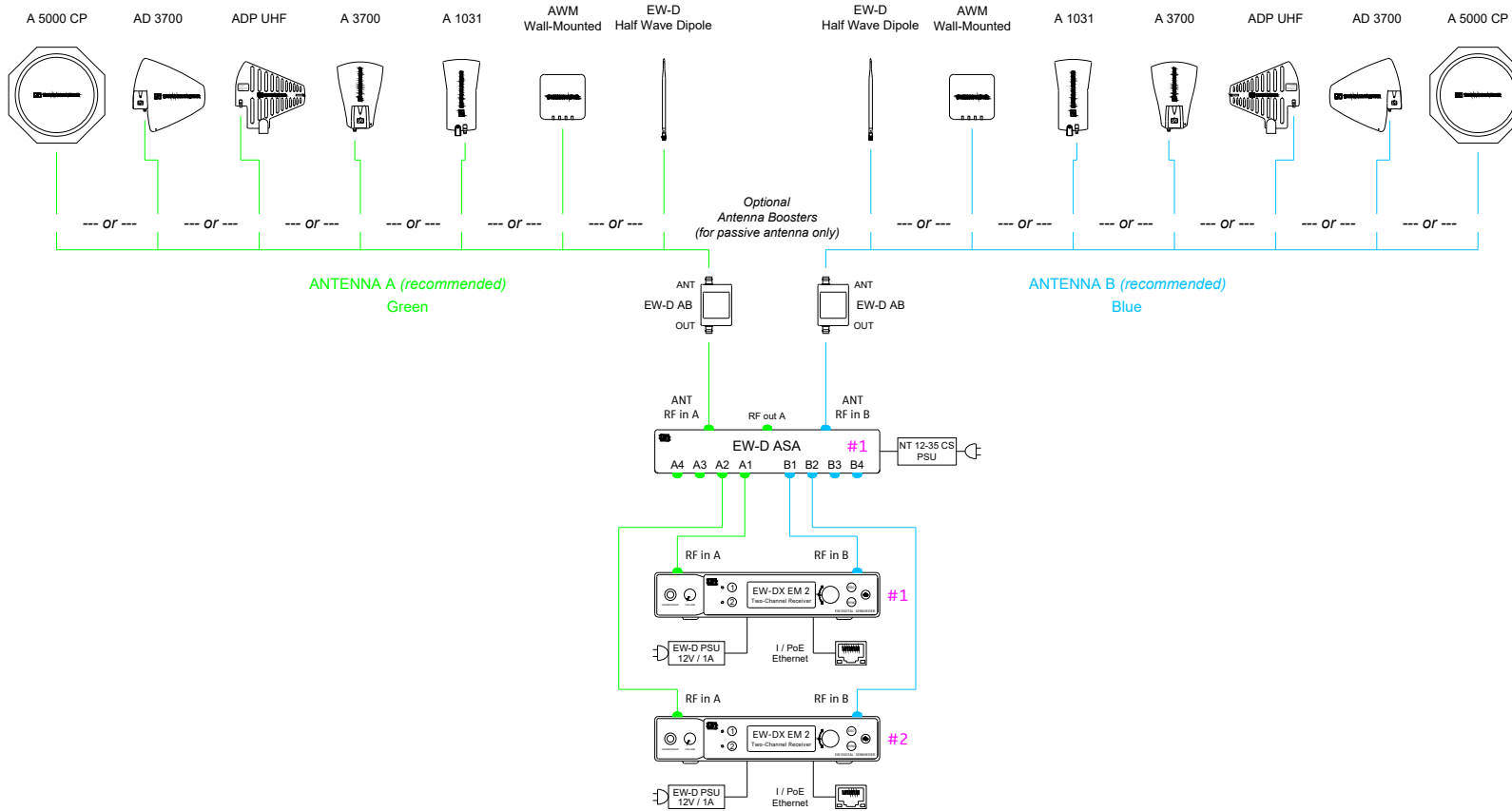
<b>Evolution Wireless Digital</b>	
WIRELESS MICROPHONE SYSTEMS	
Drawing name	Revision
EW-DX System Drawings	1.0
Sheet title	
RF Wiring and Antenna options	
Description	
2-Channel System, options A&B	

EW-DX	
Available Frequency ranges	
Q1-9	470.2 - 550 MHz
R1-9	520 - 607.8 MHz
S1-10	606.2 - 693.8 MHz
S2-10	614.2 - 693.8 MHz
S4-10	630 - 693.8 MHz
U1/5	823.2 - 831.8 MHz 863.2 - 864.8 MHz
V3-4	925.2 - 937.3 MHz
V5-7	941.7 - 951.8 MHz 953.05 - 956.05 MHz 956.65 - 959.65 MHz
Y1-3	1785.2 - 1799.8 MHz

EW-D & EW-DX	
Accessories Frequency ranges	
<b>EW-D ASA (Antenna Splitter, Active)</b>	
Q-R-S	470 - 694 MHz
T-U-V-W	694 - 1075 MHz
X-Y	1350 - 1805 MHz
<b>EW-D AB &amp; EW-D Half Wave Dipole</b>	
Q	470 - 550 MHz
R	520 - 608 MHz
S	606 - 694 MHz
U	823 - 865 MHz
V	902 - 960 MHz
Y	1785 - 1805 MHz

→ Please contact your local Sennheiser representative for available Evolution Wireless Digital frequency ranges in your market

→ For optimal diversity operation, it is recommended to use the same antenna model and equal coax cable length on both sides



**Evolution Wireless Digital**  
WIRELESS MICROPHONE SYSTEMS

Drawing name: EW-DX System Drawings  
Revision: 1.0

Sheet title: RF Wiring and Antenna options

Description: 4-Channel System

**EW-DX**  
Available Frequency ranges

Q1-9	470.2 - 550 MHz
R1-9	520 - 607.8 MHz
S1-10	606.2 - 693.8 MHz
S2-10	614.2 - 693.8 MHz
S4-10	630 - 693.8 MHz
U1/5	823.2 - 831.8 MHz 863.2 - 864.8 MHz
V3-4	925.2 - 937.3 MHz
V5-7	941.7 - 951.8 MHz 953.05 - 956.05 MHz 956.65 - 959.65 MHz
Y1-3	1785.2 - 1799.8 MHz

**EW-D & EW-DX**  
Accessories Frequency ranges

**EW-D ASA (Antenna Splitter, Active)**

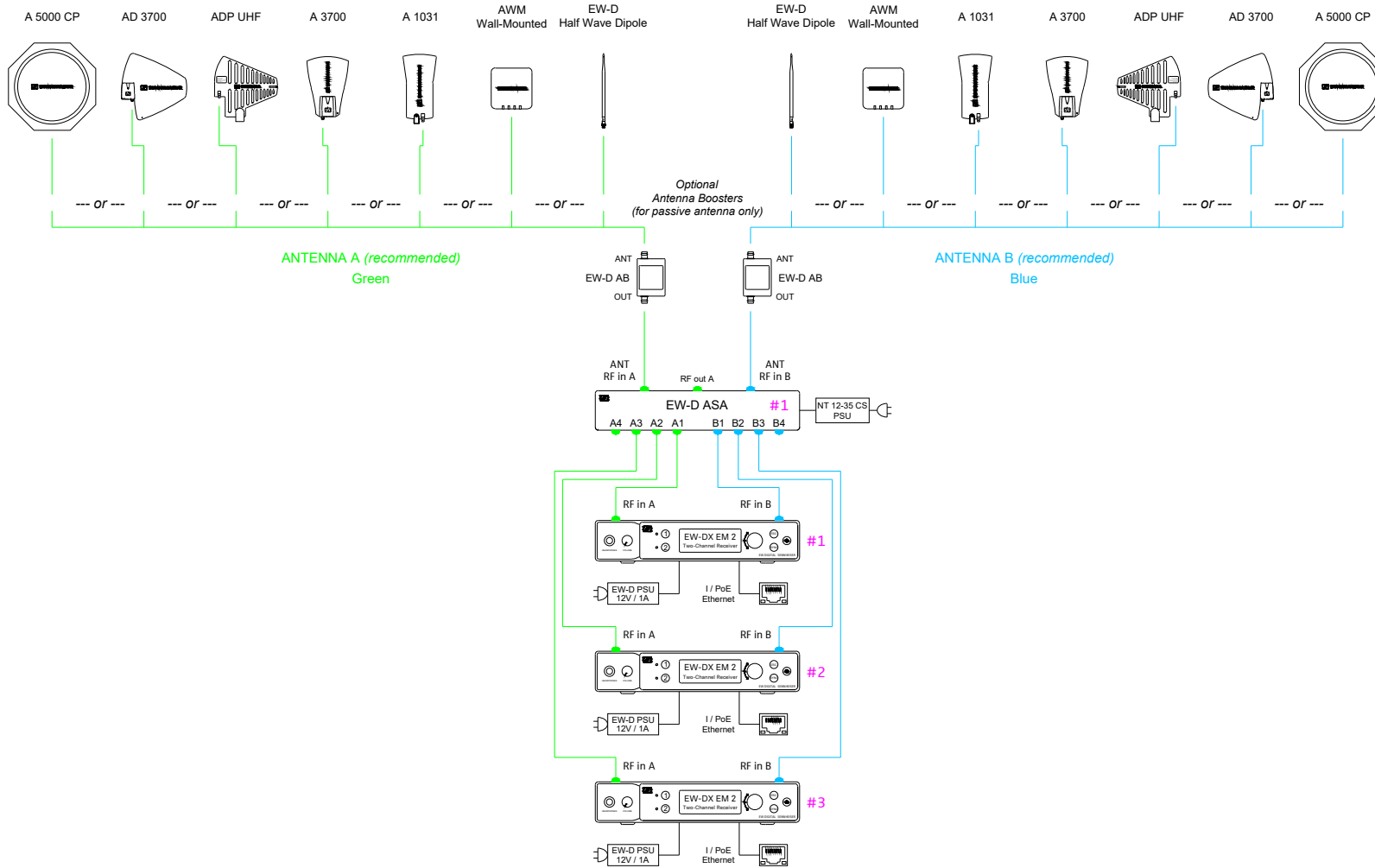
Q-R-S	470 - 694 MHz
T-U-V-W	694 - 1075 MHz
X-Y	1350 - 1805 MHz

**EW-D AB & EW-D Half Wave Dipole**

Q	470 - 550 MHz
R	520 - 608 MHz
S	606 - 694 MHz
U	823 - 865 MHz
V	902 - 960 MHz
Y	1785 - 1805 MHz

→ Please contact your local Sennheiser representative for available Evolution Wireless Digital frequency ranges in your market

→ For optimal diversity operation, it is recommended to use the same antenna model and equal coax cable length on both sides



**Evolution Wireless Digital**  
WIRELESS MICROPHONE SYSTEMS

Drawing name: EW-DX System Drawings  
Revision: 1.0

Sheet title: RF Wiring and Antenna options

Description: 6-Channel System

**EW-DX**  
Available Frequency ranges

Q1-9	470.2 - 550 MHz
R1-9	520 - 607.8 MHz
S1-10	606.2 - 693.8 MHz
S2-10	614.2 - 693.8 MHz
S4-10	630 - 693.8 MHz
U1/5	823.2 - 831.8 MHz 863.2 - 864.8 MHz
V3-4	925.2 - 937.3 MHz
V5-7	941.7 - 951.8 MHz 953.05 - 956.05 MHz 956.65 - 959.65 MHz
Y1-3	1785.2 - 1799.8 MHz

**EW-D & EW-DX**  
Accessories Frequency ranges

**EW-D ASA (Antenna Splitter, Active)**

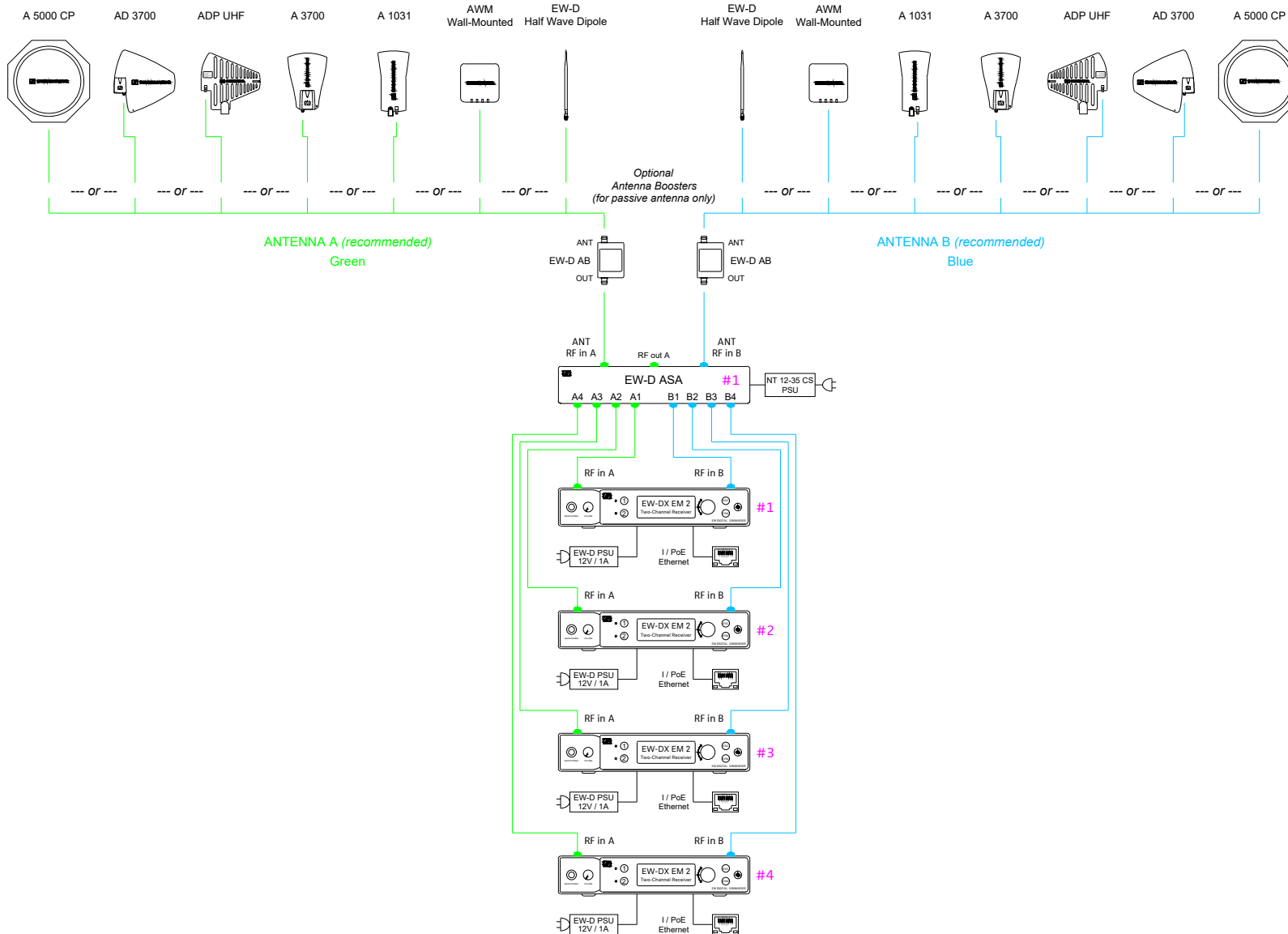
Q-R-S	470 - 694 MHz
T-U-V-W	694 - 1075 MHz
X-Y	1350 - 1805 MHz

**EW-D AB & EW-D Half Wave Dipole**

Q	470 - 550 MHz
R	520 - 608 MHz
S	606 - 694 MHz
U	823 - 865 MHz
V	902 - 960 MHz
Y	1785 - 1805 MHz

→ Please contact your local Sennheiser representative for available Evolution Wireless Digital frequency ranges in your market

→ For optimal diversity operation, it is recommended to use the same antenna model and equal coax cable length on both sides



**Evolution Wireless Digital**  
WIRELESS MICROPHONE SYSTEMS

Drawing name: EW-DX System Drawings  
Revision: 1.0

Sheet title: RF Wiring and Antenna options

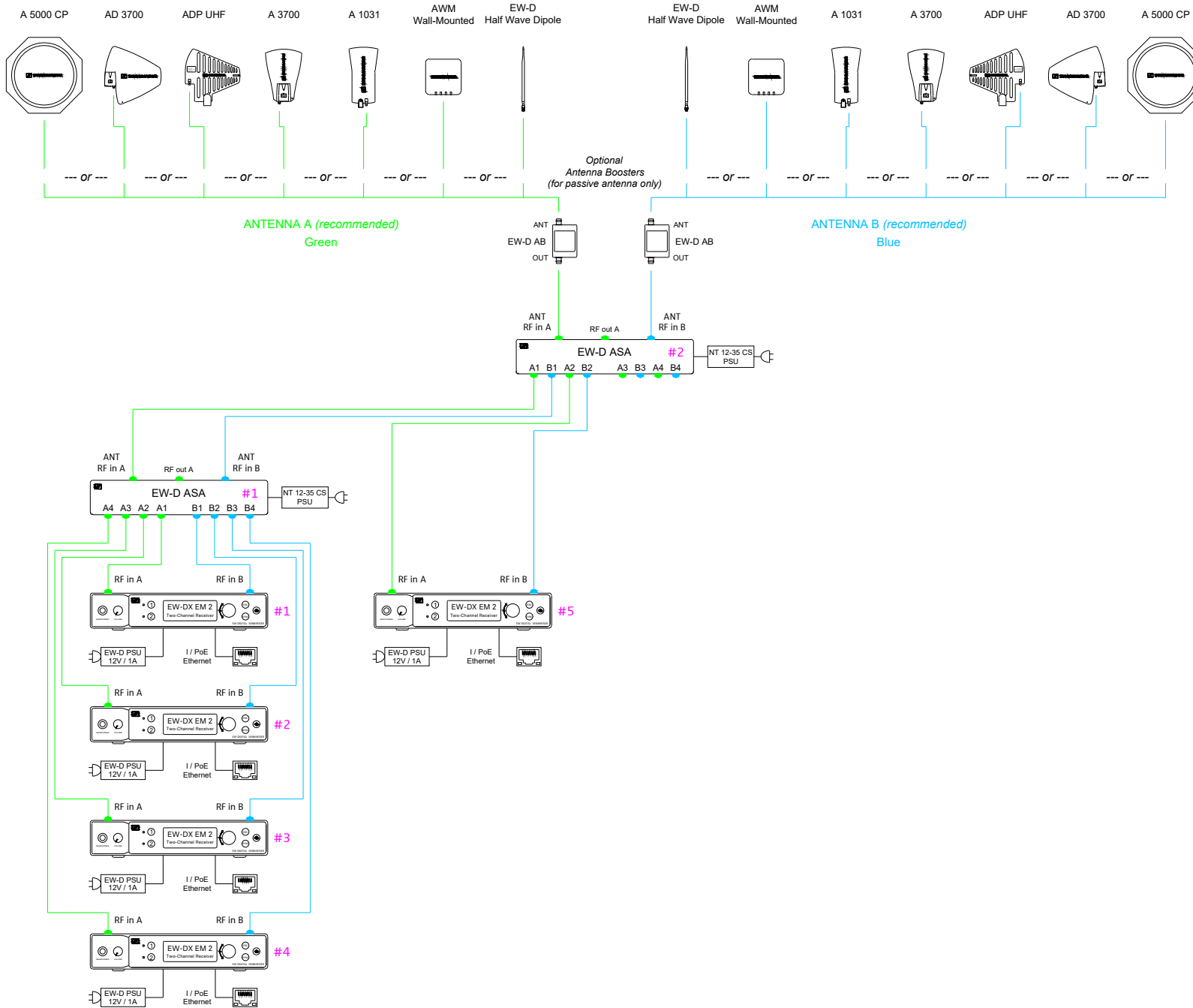
Description: 8-Channel System

EW-DX Available Frequency ranges	
Q1-9	470.2 - 550 MHz
R1-9	520 - 607.8 MHz
S1-10	606.2 - 693.8 MHz
S2-10	614.2 - 693.8 MHz
S4-10	630 - 693.8 MHz
U1/5	823.2 - 831.8 MHz 863.2 - 864.8 MHz
V3-4	925.2 - 937.3 MHz
V5-7	941.7 - 951.8 MHz 953.05 - 956.05 MHz 956.65 - 959.65 MHz
Y1-3	1785.2 - 1799.8 MHz

EW-D & EW-DX Accessories Frequency ranges	
<b>EW-D ASA (Antenna Splitter, Active)</b>	
Q-R-S	470 - 694 MHz
T-U-V-W	694 - 1075 MHz
X-Y	1350 - 1805 MHz
<b>EW-D AB &amp; EW-D Half Wave Dipole</b>	
Q	470 - 550 MHz
R	520 - 608 MHz
S	606 - 694 MHz
U	823 - 865 MHz
V	902 - 960 MHz
Y	1785 - 1805 MHz

→ Please contact your local Sennheiser representative for available Evolution Wireless Digital frequency ranges in your market

→ For optimal diversity operation, it is recommended to use the same antenna model and equal coax cable length on both sides



**Evolution Wireless Digital**  
WIRELESS MICROPHONE SYSTEMS

Drawing name: EW-DX System Drawings  
Revision: 1.0

Sheet title: RF Wiring and Antenna options

Description: 10-Channel System

**EW-DX**  
Available Frequency ranges

Q1-9	470.2 - 550 MHz
R1-9	520 - 607.8 MHz
S1-10	606.2 - 693.8 MHz
S2-10	614.2 - 693.8 MHz
S4-10	630 - 693.8 MHz
U1/5	823.2 - 831.8 MHz 863.2 - 864.8 MHz
V3-4	925.2 - 937.3 MHz
V5-7	941.7 - 951.8 MHz 953.05 - 956.05 MHz 956.65 - 959.65 MHz
Y1-3	1785.2 - 1799.8 MHz

**EW-D & EW-DX**  
Accessories Frequency ranges

**EW-D ASA (Antenna Splitter, Active)**

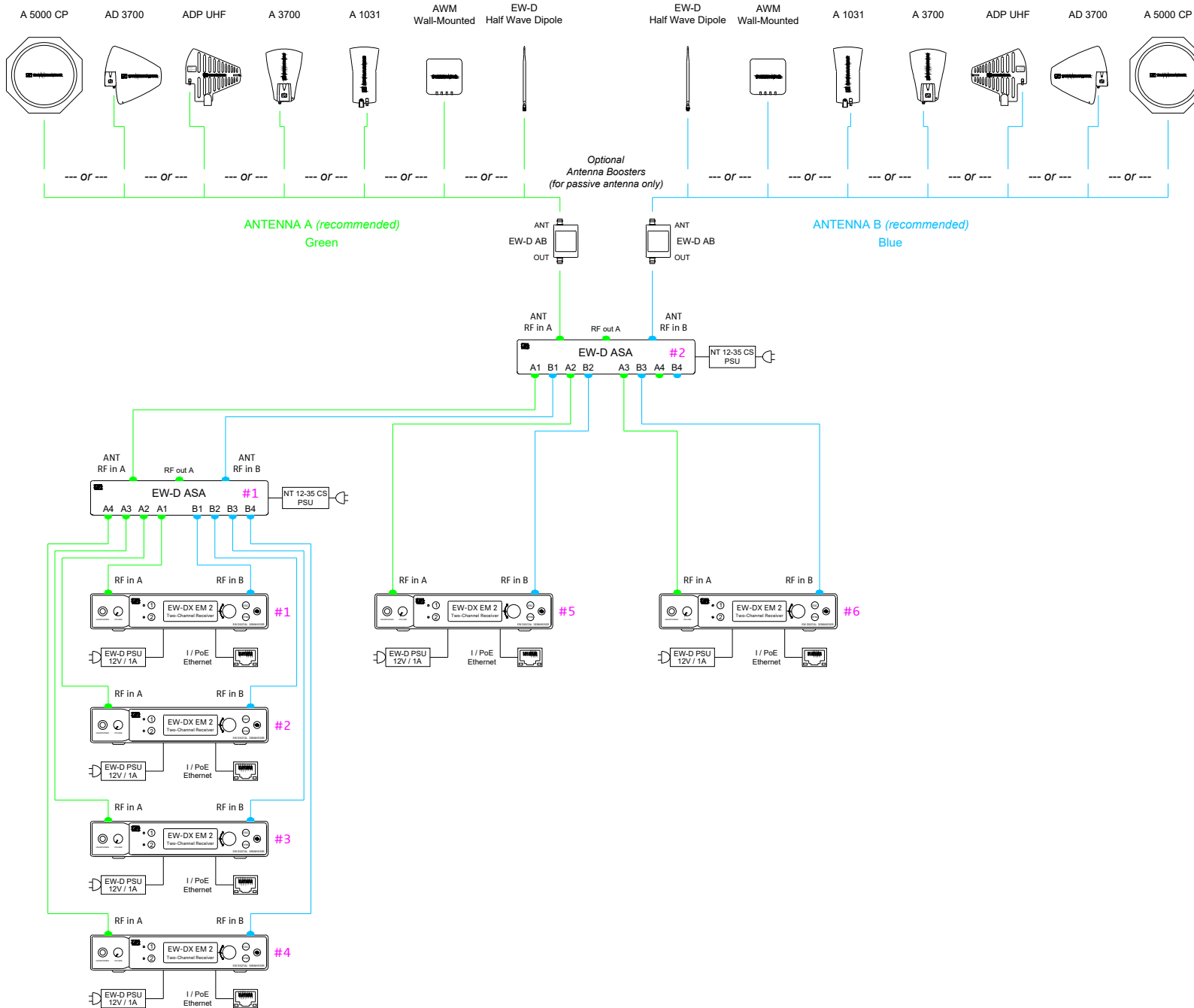
Q-R-S	470 - 694 MHz
T-U-V-W	694 - 1075 MHz
X-Y	1350 - 1805 MHz

**EW-D AB & EW-D Half Wave Dipole**

Q	470 - 550 MHz
R	520 - 608 MHz
S	606 - 694 MHz
U	823 - 865 MHz
V	902 - 960 MHz
Y	1785 - 1805 MHz

→ Please contact your local Sennheiser representative for available Evolution Wireless Digital frequency ranges in your market

→ For optimal diversity operation, it is recommended to use the same antenna model and equal coax cable length on both sides



### Evolution Wireless Digital WIRELESS MICROPHONE SYSTEMS

Drawing name	Revision
EW-DX System Drawings	1.0

Sheet title  
RF Wiring and Antenna options

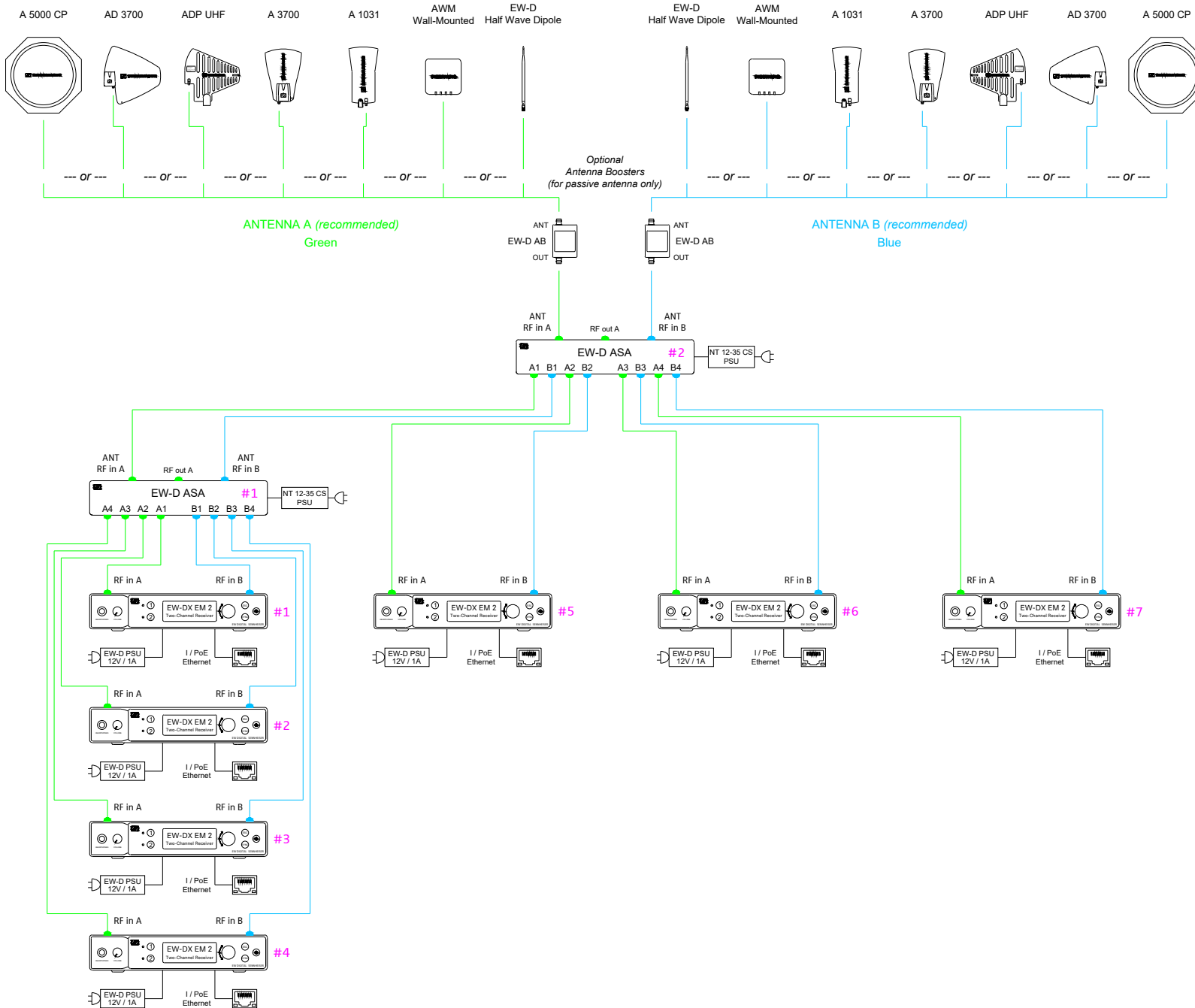
Description  
12-Channel System

EW-DX Available Frequency ranges	
Q1-9	470.2 - 550 MHz
R1-9	520 - 607.8 MHz
S1-10	606.2 - 693.8 MHz
S2-10	614.2 - 693.8 MHz
S4-10	630 - 693.8 MHz
U1/5	823.2 - 831.8 MHz 863.2 - 864.8 MHz
V3-4	925.2 - 937.3 MHz
V5-7	941.7 - 951.8 MHz 956.65 - 959.65 MHz
Y1-3	1785.2 - 1799.8 MHz

EW-D & EW-DX Accessories Frequency ranges	
<b>EW-D ASA (Antenna Splitter, Active)</b>	
Q-R-S	470 - 694 MHz
T-U-V-W	694 - 1075 MHz
X-Y	1350 - 1805 MHz
<b>EW-D AB &amp; EW-D Half Wave Dipole</b>	
Q	470 - 550 MHz
R	520 - 608 MHz
S	606 - 694 MHz
U	823 - 865 MHz
V	902 - 960 MHz
Y	1785 - 1805 MHz

→ Please contact your local Sennheiser representative for available Evolution Wireless Digital frequency ranges in your market

→ For optimal diversity operation, it is recommended to use the same antenna model and equal coax cable length on both sides



**Evolution Wireless Digital**  
WIRELESS MICROPHONE SYSTEMS

Drawing name: EW-DX System Drawings  
Revision: 1.0

Sheet title: RF Wiring and Antenna options

Description: 14-Channel System

**EW-DX**  
Available Frequency ranges

Q1-9	470.2 - 550 MHz
R1-9	520 - 607.8 MHz
S1-10	606.2 - 693.8 MHz
S2-10	614.2 - 693.8 MHz
S4-10	630 - 693.8 MHz
U1/5	823.2 - 831.8 MHz 863.2 - 864.8 MHz
V3-4	925.2 - 937.3 MHz
V5-7	941.7 - 951.8 MHz 953.05 - 956.05 MHz 956.65 - 959.65 MHz
Y1-3	1785.2 - 1799.8 MHz

**EW-D & EW-DX**  
Accessories Frequency ranges

**EW-D ASA (Antenna Splitter, Active)**

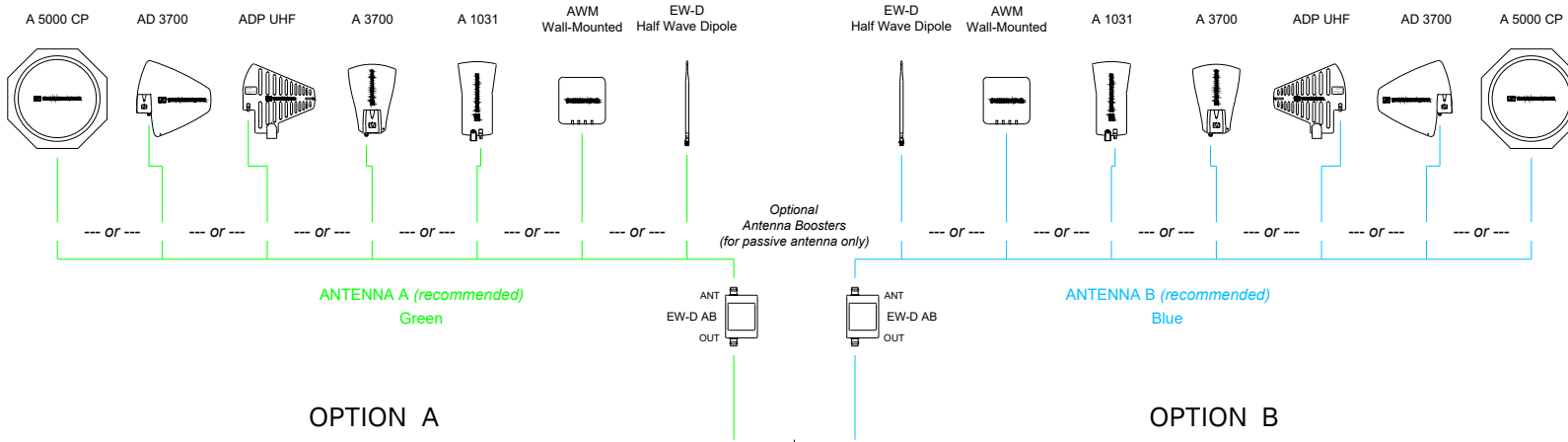
Q-R-S	470 - 694 MHz
T-U-V-W	694 - 1075 MHz
X-Y	1350 - 1805 MHz

**EW-D AB & EW-D Half Wave Dipole**

Q	470 - 550 MHz
R	520 - 608 MHz
S	606 - 694 MHz
U	823 - 865 MHz
V	902 - 960 MHz
Y	1785 - 1805 MHz

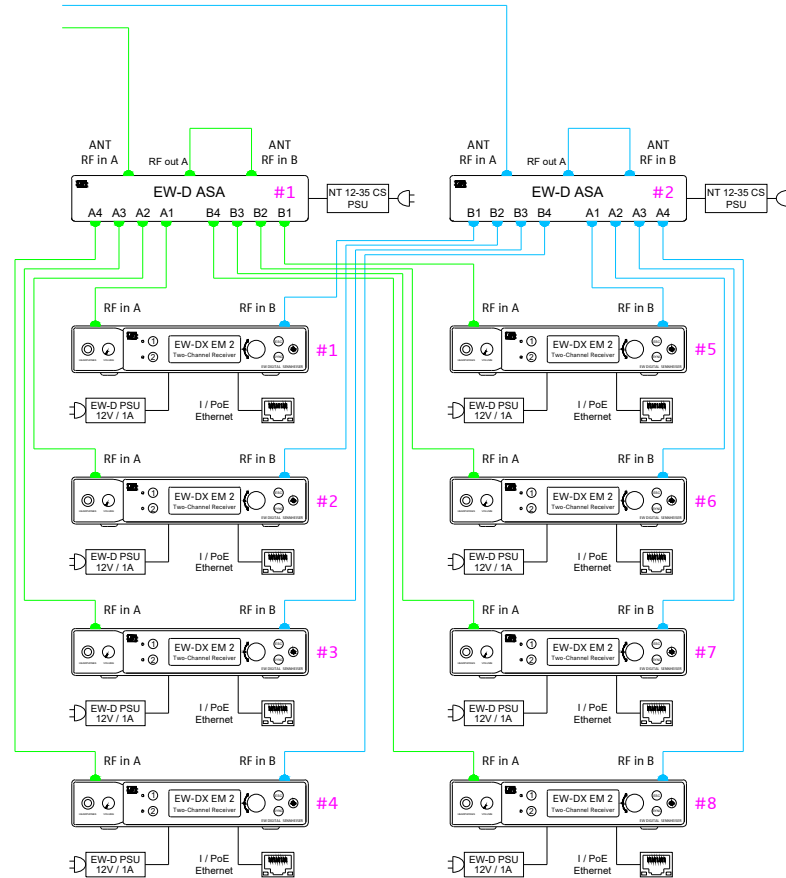
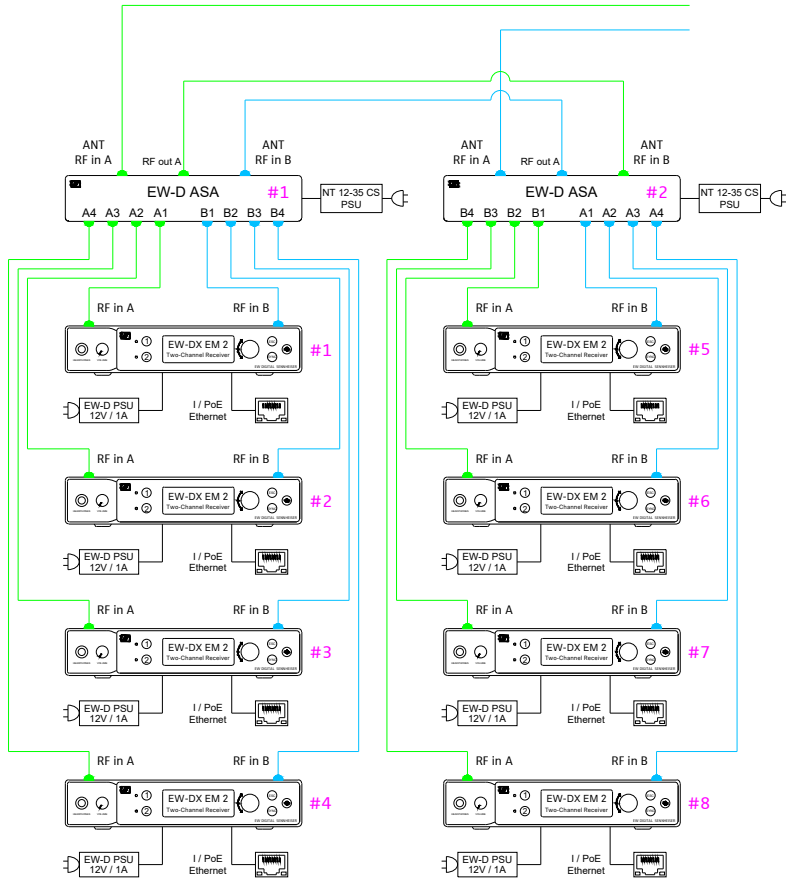
→ Please contact your local Sennheiser representative for available Evolution Wireless Digital frequency ranges in your market

→ For optimal diversity operation, it is recommended to use the same antenna model and equal coax cable length on both sides



OPTION A

OPTION B



Evolution Wireless Digital

WIRELESS MICROPHONE SYSTEMS

Drawing name	Revision
EW-DX System Drawings	1.0

Sheet title  
RF Wiring and Antenna options

Description  
16-Channel System, options A&B

EW-DX

Available Frequency ranges

Q1-9	470.2 - 550 MHz
R1-9	520 - 607.8 MHz
S1-10	606.2 - 693.8 MHz
S2-10	614.2 - 693.8 MHz
S4-10	630 - 693.8 MHz
U1/5	823.2 - 831.8 MHz 863.2 - 864.8 MHz
V3-4	925.2 - 937.3 MHz
V5-7	941.7 - 951.8 MHz 956.65 - 959.65 MHz
Y1-3	1785.2 - 1799.8 MHz

EW-D & EW-DX  
Accessories Frequency ranges

EW-D ASA (Antenna Splitter, Active)

Q-R-S	470 - 694 MHz
T-U-V-W	694 - 1075 MHz
X-Y	1350 - 1805 MHz

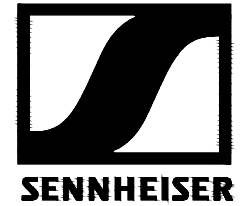
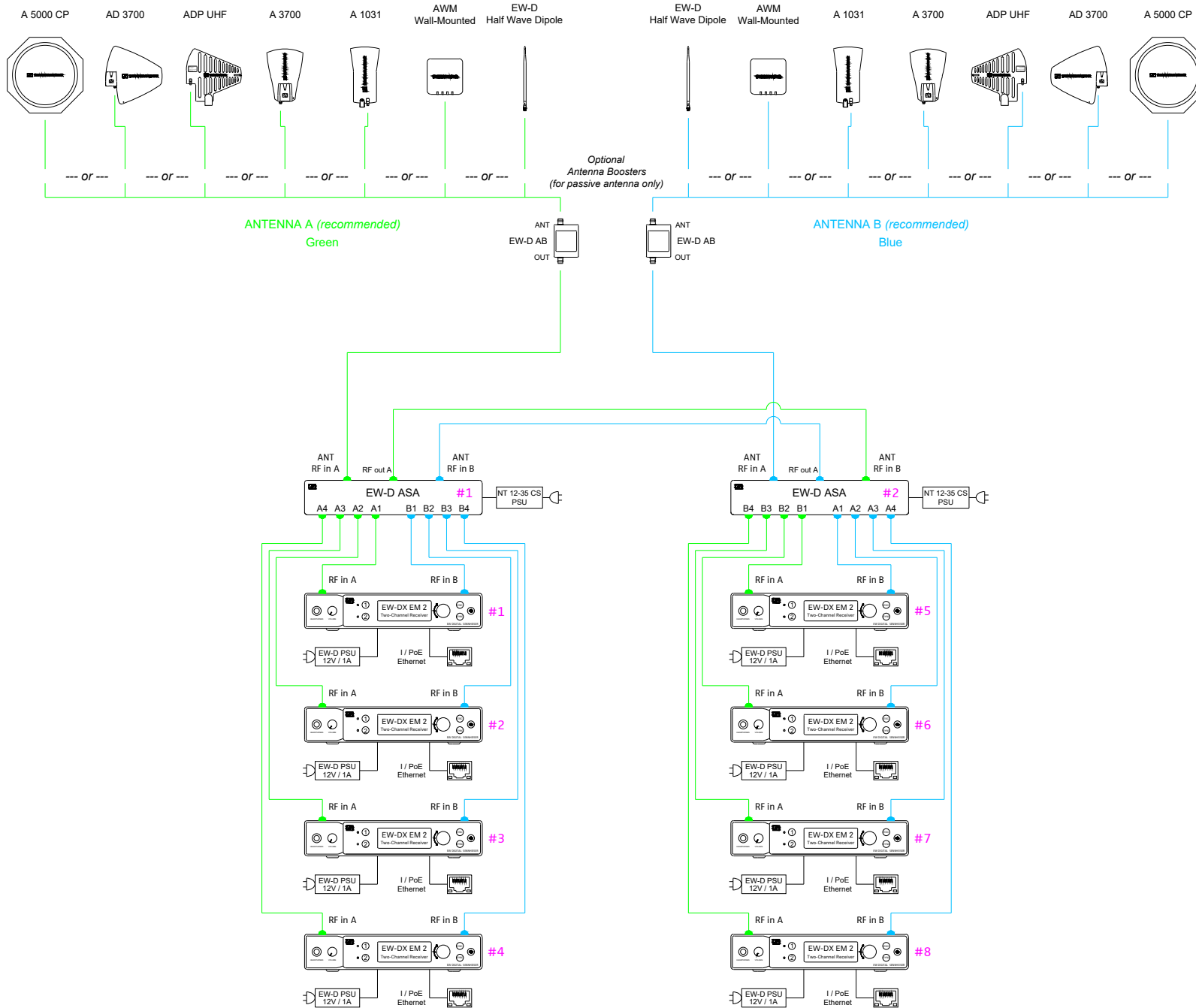
EW-D AB & EW-D Half Wave Dipole

Q	470 - 550 MHz
R	520 - 608 MHz
S	606 - 694 MHz
U	823 - 865 MHz
V	902 - 960 MHz
Y	1785 - 1805 MHz

→ Please contact your local Sennheiser representative for available Evolution Wireless Digital frequency ranges in your market



→ For optimal diversity operation, it is recommended to use the same antenna model and equal coax cable length on both sides



**Evolution Wireless Digital**  
WIRELESS MICROPHONE SYSTEMS

Drawing name: EW-DX System Drawings  
Revision: 1.0

Sheet title: RF Wiring and Antenna options

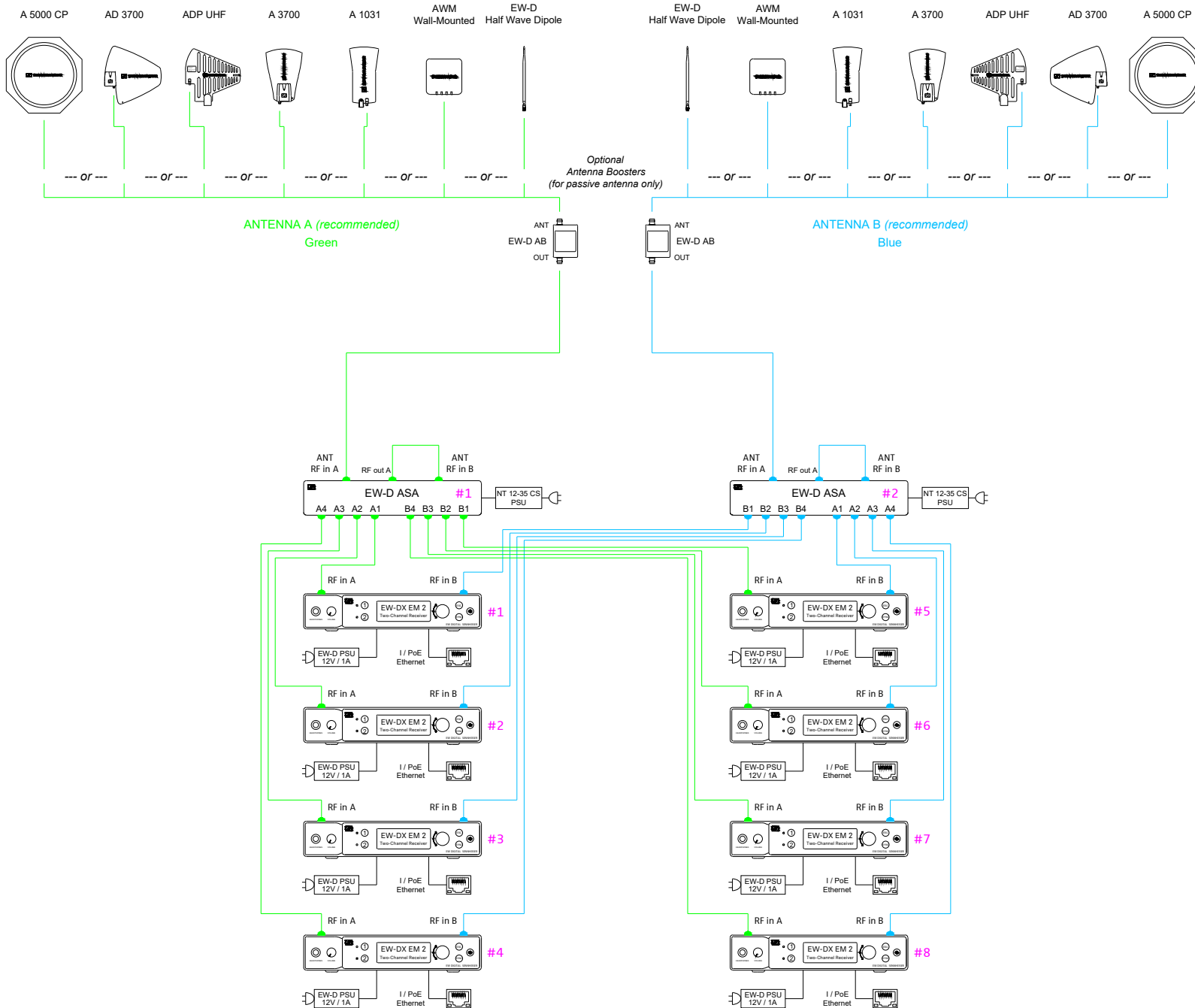
Description: 16-Channel System, option A

EW-DX Available Frequency ranges	
Q1-9	470.2 - 550 MHz
R1-9	520 - 607.8 MHz
S1-10	606.2 - 693.8 MHz
S2-10	614.2 - 693.8 MHz
S4-10	630 - 693.8 MHz
U1/5	823.2 - 831.8 MHz 863.2 - 864.8 MHz
V3-4	925.2 - 937.3 MHz
V5-7	941.7 - 951.8 MHz 953.05 - 956.05 MHz 956.65 - 959.65 MHz
Y1-3	1785.2 - 1799.8 MHz

EW-D & EW-DX Accessories Frequency ranges	
<b>EW-D ASA (Antenna Splitter, Active)</b>	
Q-R-S	470 - 694 MHz
T-U-V-W	694 - 1075 MHz
X-Y	1350 - 1805 MHz
<b>EW-D AB &amp; EW-D Half Wave Dipole</b>	
Q	470 - 550 MHz
R	520 - 608 MHz
S	606 - 694 MHz
U	823 - 865 MHz
V	902 - 960 MHz
Y	1785 - 1805 MHz

→ Please contact your local Sennheiser representative for available Evolution Wireless Digital frequency ranges in your market

→ For optimal diversity operation, it is recommended to use the same antenna model and equal coax cable length on both sides



### Evolution Wireless Digital WIRELESS MICROPHONE SYSTEMS

Drawing name: EW-DX System Drawings  
Revision: 1.0

Sheet title: RF Wiring and Antenna options

Description: 16-Channel System, option B

### EW-DX Available Frequency ranges

Q1-9	470.2 - 550 MHz
R1-9	520 - 607.8 MHz
S1-10	606.2 - 693.8 MHz
S2-10	614.2 - 693.8 MHz
S4-10	630 - 693.8 MHz
U1/5	823.2 - 831.8 MHz 863.2 - 864.8 MHz
V3-4	925.2 - 937.3 MHz
V5-7	941.7 - 951.8 MHz 956.65 - 959.65 MHz
Y1-3	1785.2 - 1799.8 MHz

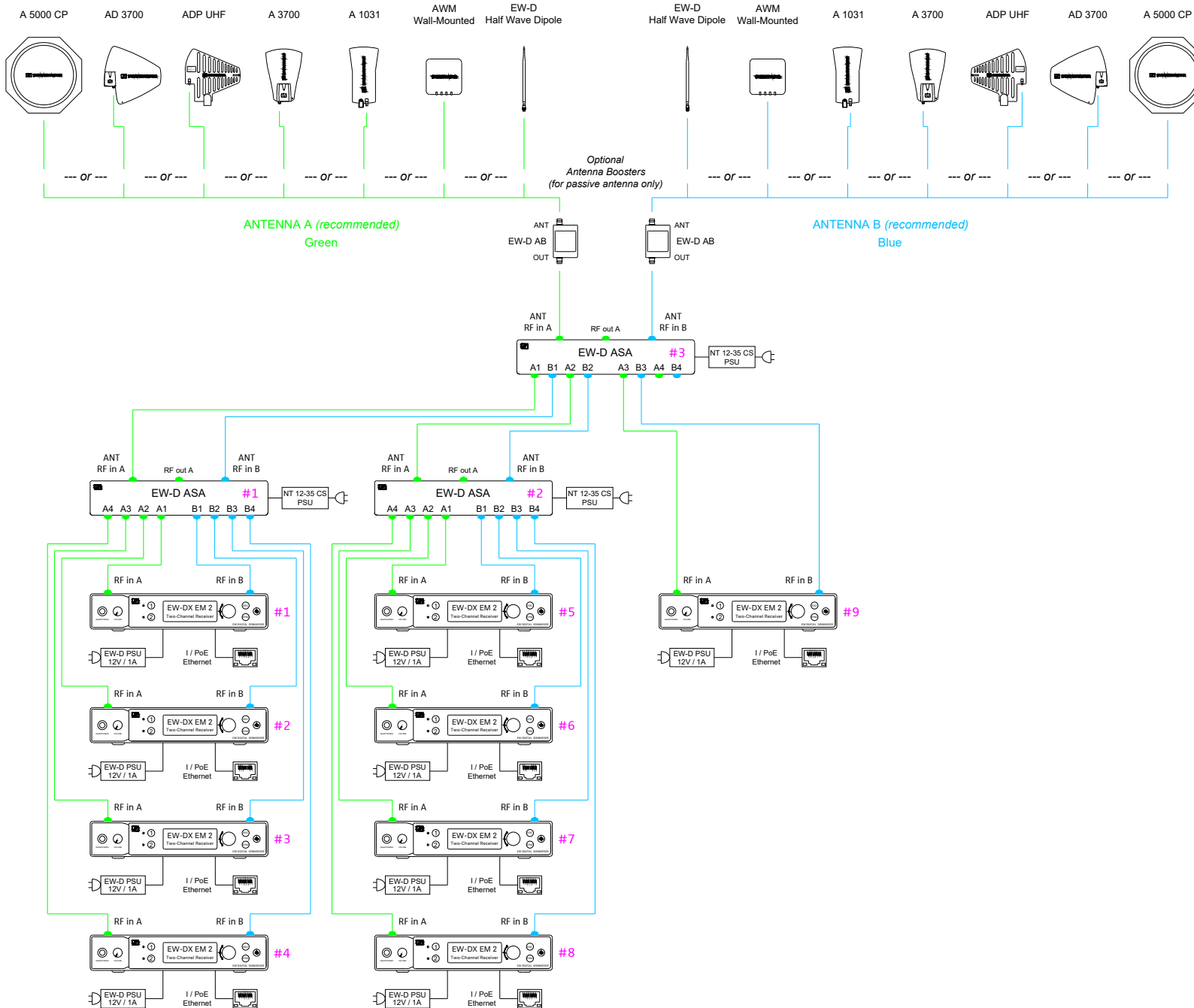
### EW-D & EW-DX Accessories Frequency ranges

<b>EW-D ASA (Antenna Splitter, Active)</b>	
Q-R-S	470 - 694 MHz
T-U-V-W	694 - 1075 MHz
X-Y	1350 - 1805 MHz

<b>EW-D AB &amp; EW-D Half Wave Dipole</b>	
Q	470 - 550 MHz
R	520 - 608 MHz
S	606 - 694 MHz
U	823 - 865 MHz
V	902 - 960 MHz
Y	1785 - 1805 MHz

→ Please contact your local Sennheiser representative for available Evolution Wireless Digital frequency ranges in your market

→ For optimal diversity operation, it is recommended to use the same antenna model and equal coax cable length on both sides



### Evolution Wireless Digital WIRELESS MICROPHONE SYSTEMS

Drawing name: EW-DX System Drawings | Revision: 1.0

Sheet title: RF Wiring and Antenna options

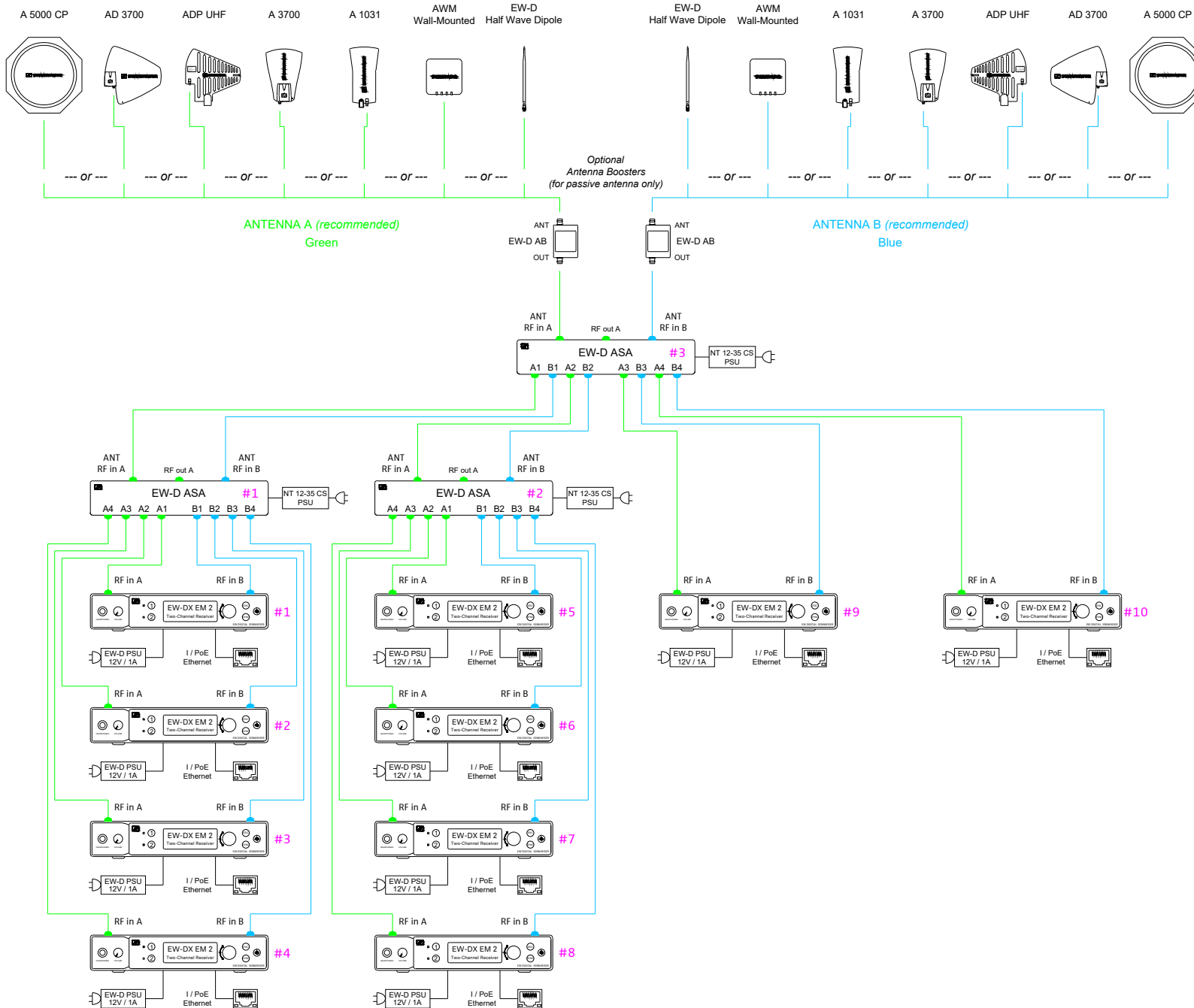
Description: 18-Channel System

EW-DX Available Frequency ranges	
Q1-9	470.2 - 550 MHz
R1-9	520 - 607.8 MHz
S1-10	606.2 - 693.8 MHz
S2-10	614.2 - 693.8 MHz
S4-10	630 - 693.8 MHz
U1/5	823.2 - 831.8 MHz 863.2 - 864.8 MHz
V3-4	925.2 - 937.3 MHz
V5-7	941.7 - 951.8 MHz 953.05 - 956.05 MHz 956.65 - 959.65 MHz
Y1-3	1785.2 - 1799.8 MHz

EW-D & EW-DX Accessories Frequency ranges	
<b>EW-D ASA (Antenna Splitter, Active)</b>	
Q-R-S	470 - 694 MHz
T-U-V-W	694 - 1075 MHz
X-Y	1350 - 1805 MHz
<b>EW-D AB &amp; EW-D Half Wave Dipole</b>	
Q	470 - 550 MHz
R	520 - 608 MHz
S	606 - 694 MHz
U	823 - 865 MHz
V	902 - 960 MHz
Y	1785 - 1805 MHz

→ Please contact your local Sennheiser representative for available Evolution Wireless Digital frequency ranges in your market

→ For optimal diversity operation, it is recommended to use the same antenna model and equal coax cable length on both sides



### Evolution Wireless Digital WIRELESS MICROPHONE SYSTEMS

Drawing name: EW-DX System Drawings  
Revision: 1.0

Sheet title: RF Wiring and Antenna options

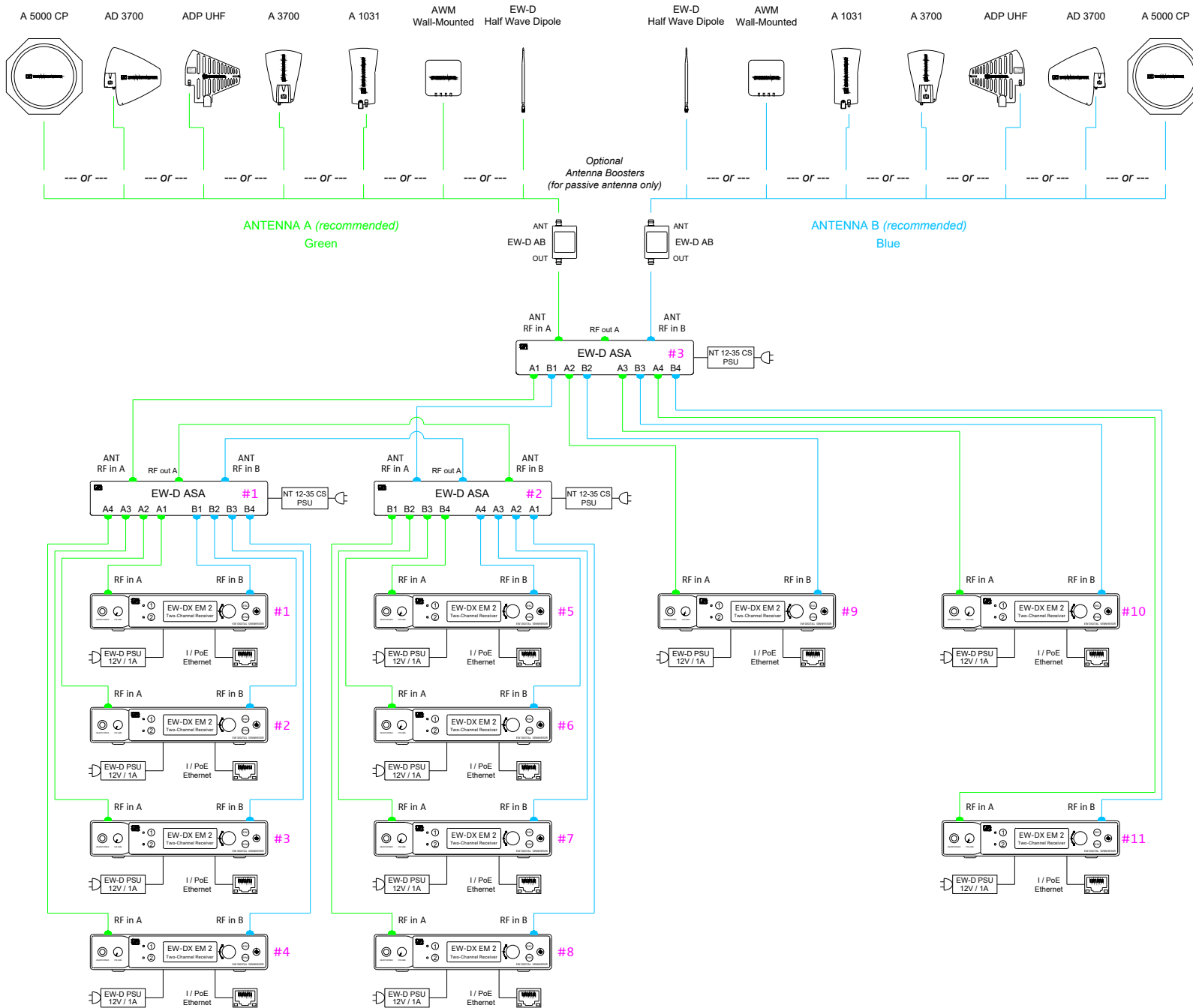
Description: 20-Channel System

EW-DX Available Frequency ranges	
Q1-9	470.2 - 550 MHz
R1-9	520 - 607.8 MHz
S1-10	606.2 - 693.8 MHz
S2-10	614.2 - 693.8 MHz
S4-10	630 - 693.8 MHz
U1/5	823.2 - 831.8 MHz 863.2 - 864.8 MHz
V3-4	925.2 - 937.3 MHz
V5-7	941.7 - 951.8 MHz 953.05 - 956.05 MHz 956.65 - 959.65 MHz
Y1-3	1785.2 - 1799.8 MHz

EW-D & EW-DX Accessories Frequency ranges	
<b>EW-D ASA (Antenna Splitter, Active)</b>	
Q-R-S	470 - 694 MHz
T-U-V-W	694 - 1075 MHz
X-Y	1350 - 1805 MHz
<b>EW-D AB &amp; EW-D Half Wave Dipole</b>	
Q	470 - 550 MHz
R	520 - 608 MHz
S	606 - 694 MHz
U	823 - 865 MHz
V	902 - 960 MHz
Y	1785 - 1805 MHz

→ Please contact your local Sennheiser representative for available Evolution Wireless Digital frequency ranges in your market

→ For optimal diversity operation, it is recommended to use the same antenna model and equal coax cable length on both sides



**Evolution Wireless Digital**  
WIRELESS MICROPHONE SYSTEMS

Drawing name: EW-DX System Drawings  
Revision: 1.0

Sheet title: RF Wiring and Antenna options

Description: 22-Channel System

**EW-DX**

Available Frequency ranges

Q1-9	470.2 - 550 MHz
R1-9	520 - 607.8 MHz
S1-10	606.2 - 693.8 MHz
S2-10	614.2 - 693.8 MHz
S4-10	630 - 693.8 MHz
U1/5	823.2 - 831.8 MHz 863.2 - 864.8 MHz
V3-4	925.2 - 937.3 MHz
V5-7	941.7 - 951.8 MHz 953.05 - 956.05 MHz 956.65 - 959.65 MHz
Y1-3	1785.2 - 1799.8 MHz

**EW-D & EW-DX**  
Accessories Frequency ranges

**EW-D ASA (Antenna Splitter, Active)**

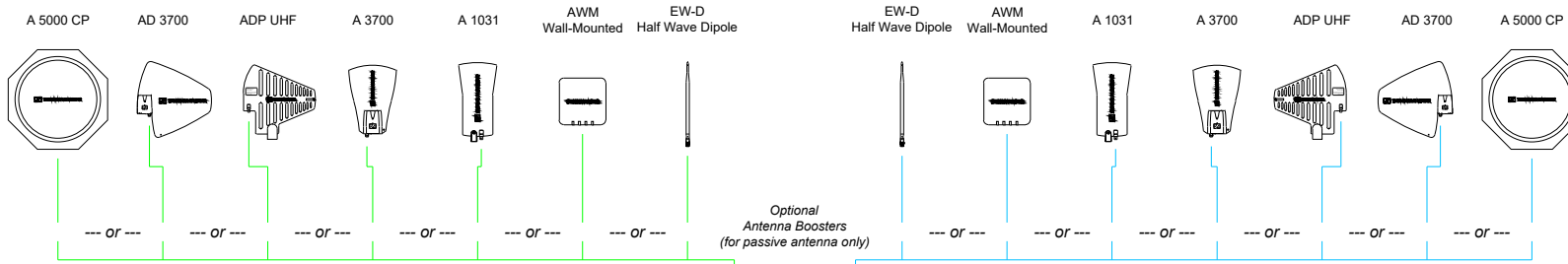
Q-R-S	470 - 694 MHz
T-U-V-W	694 - 1075 MHz
X-Y	1350 - 1805 MHz

**EW-D AB & EW-D Half Wave Dipole**

Q	470 - 550 MHz
R	520 - 608 MHz
S	606 - 694 MHz
U	823 - 865 MHz
V	902 - 960 MHz
Y	1785 - 1805 MHz

→ Please contact your local Sennheiser representative for available Evolution Wireless Digital frequency ranges in your market

→ For optimal diversity operation, it is recommended to use the same antenna model and equal coax cable length on both sides



**Evolution Wireless Digital**  
WIRELESS MICROPHONE SYSTEMS

Drawing name: EW-DX System Drawings  
Revision: 1.0

Sheet title: RF Wiring and Antenna options

Description: 24-Channel System

**EW-DX**

Available Frequency ranges

Q1-9	470.2 - 550 MHz
R1-9	520 - 607.8 MHz
S1-10	606.2 - 693.8 MHz
S2-10	614.2 - 693.8 MHz
S4-10	630 - 693.8 MHz
U1/5	823.2 - 831.8 MHz 863.2 - 864.8 MHz
V3-4	925.2 - 937.3 MHz
V5-7	941.7 - 951.8 MHz 953.05 - 956.05 MHz 956.65 - 959.65 MHz
Y1-3	1785.2 - 1799.8 MHz

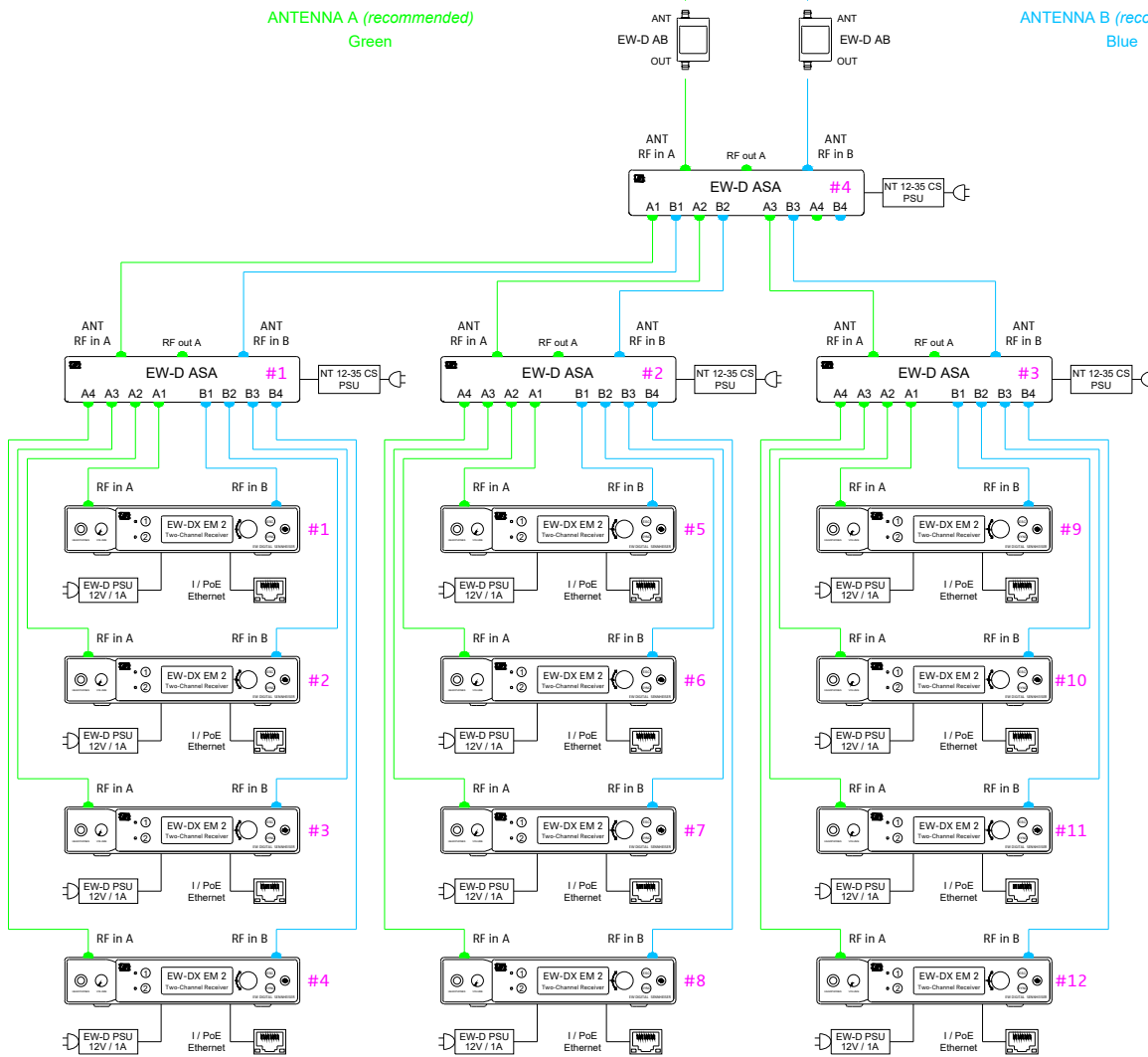
**EW-D & EW-DX**  
Accessories Frequency ranges

**EW-D ASA (Antenna Splitter, Active)**

Q-R-S	470 - 694 MHz
T-U-V-W	694 - 1075 MHz
X-Y	1350 - 1805 MHz

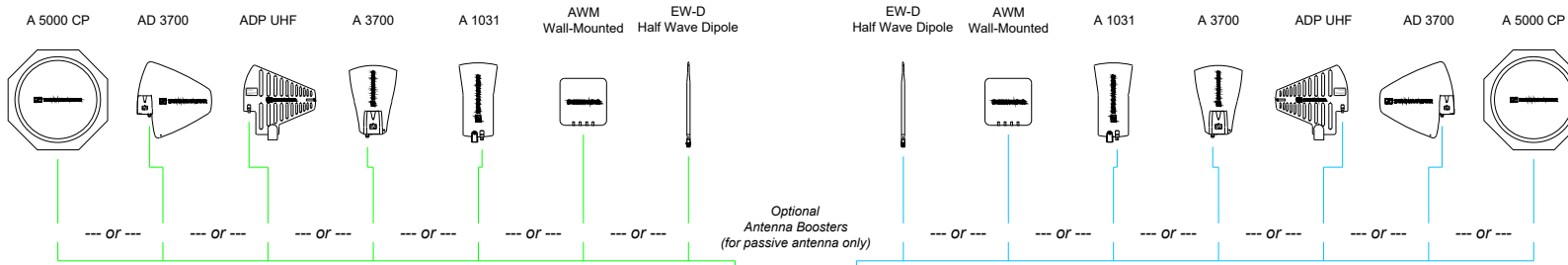
**EW-D AB & EW-D Half Wave Dipole**

Q	470 - 550 MHz
R	520 - 608 MHz
S	606 - 694 MHz
U	823 - 865 MHz
V	902 - 960 MHz
Y	1785 - 1805 MHz



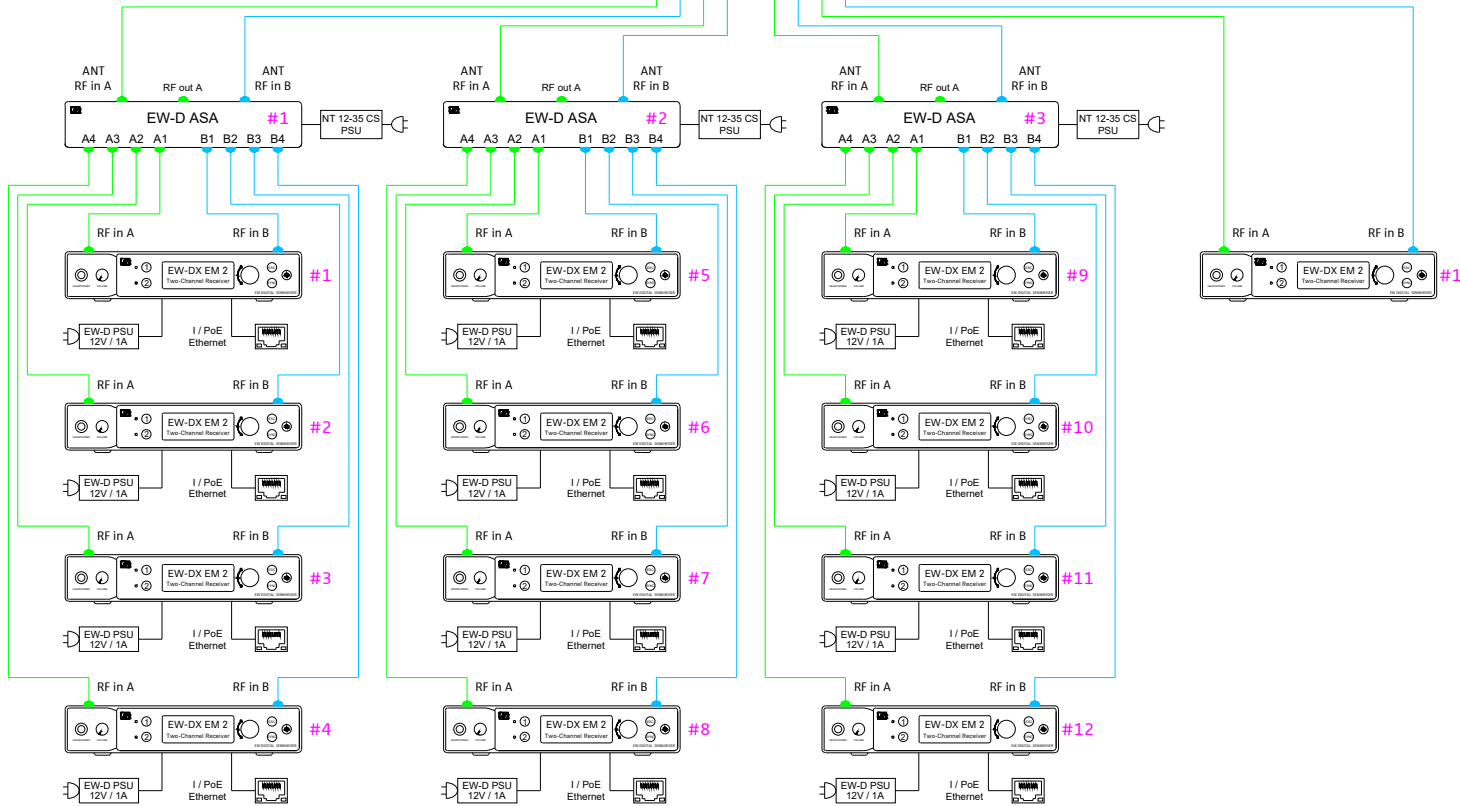
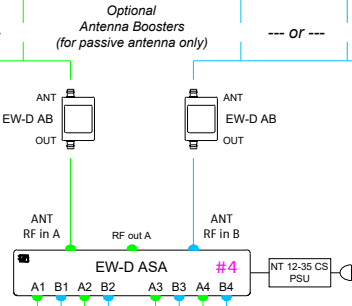
→ Please contact your local Sennheiser representative for available Evolution Wireless Digital frequency ranges in your market

→ For optimal diversity operation, it is recommended to use the same antenna model and equal coax cable length on both sides



ANTENNA A (recommended)  
Green

ANTENNA B (recommended)  
Blue



### Evolution Wireless Digital

WIRELESS MICROPHONE SYSTEMS

Drawing name	Revision
EW-DX System Drawings	1.0

Sheet title  
RF Wiring and Antenna options

Description  
26-Channel System

### EW-DX

Available Frequency ranges

Q1-9	470.2 - 550 MHz
R1-9	520 - 607.8 MHz
S1-10	606.2 - 693.8 MHz
S2-10	614.2 - 693.8 MHz
S4-10	630 - 693.8 MHz
U1/5	823.2 - 831.8 MHz 863.2 - 864.8 MHz
V3-4	925.2 - 937.3 MHz
V5-7	941.7 - 951.8 MHz 953.05 - 956.05 MHz 956.65 - 959.65 MHz
Y1-3	1785.2 - 1799.8 MHz

### EW-D & EW-DX Accessories Frequency ranges

#### EW-D ASA (Antenna Splitter, Active)

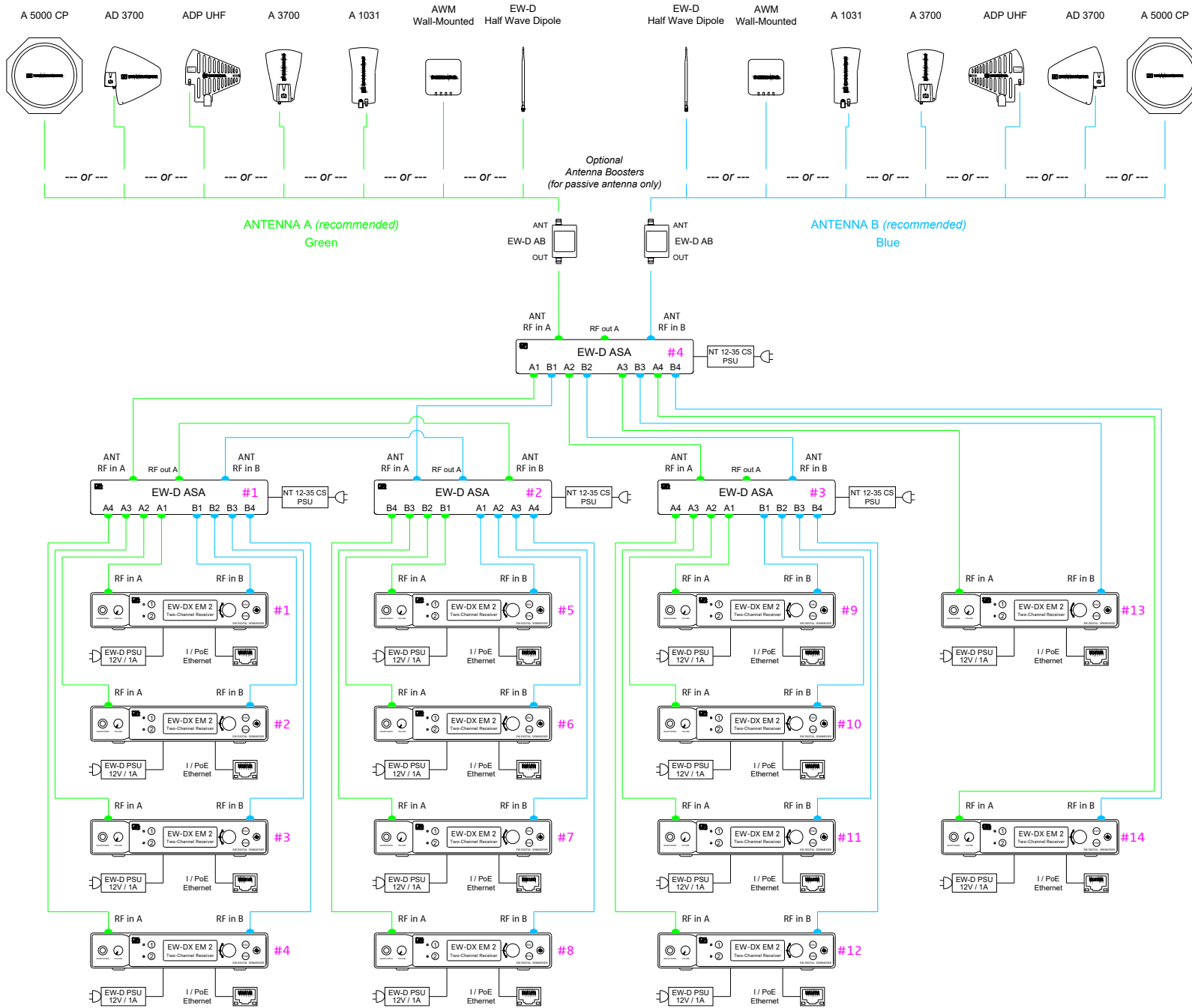
Q-R-S	470 - 694 MHz
T-U-V-W	694 - 1075 MHz
X-Y	1350 - 1805 MHz

#### EW-D AB & EW-D Half Wave Dipole

Q	470 - 550 MHz
R	520 - 608 MHz
S	606 - 694 MHz
U	823 - 865 MHz
V	902 - 960 MHz
Y	1785 - 1805 MHz

→ Please contact your local Sennheiser representative for available Evolution Wireless Digital frequency ranges in your market

→ For optimal diversity operation, it is recommended to use the same antenna model and equal coax cable length on both sides



**Evolution Wireless Digital**

WIRELESS MICROPHONE SYSTEMS

Drawing name	Revision
EW-DX System Drawings	1.0

Sheet title  
RF Wiring and Antenna options

Description  
28-Channel System

**EW-DX**  
Available Frequency ranges

Q1-9	470.2 - 550 MHz
R1-9	520 - 607.8 MHz
S1-10	606.2 - 693.8 MHz
S2-10	614.2 - 693.8 MHz
S4-10	630 - 693.8 MHz
U1/5	823.2 - 831.8 MHz 863.2 - 864.8 MHz
V3-4	925.2 - 937.3 MHz
V5-7	941.7 - 951.8 MHz 953.05 - 956.05 MHz 956.65 - 959.65 MHz
Y1-3	1785.2 - 1799.8 MHz

**EW-D & EW-DX**  
Accessories Frequency ranges

**EW-D ASA (Antenna Splitter, Active)**

Q-R-S	470 - 694 MHz
T-U-V-W	694 - 1075 MHz
X-Y	1350 - 1805 MHz

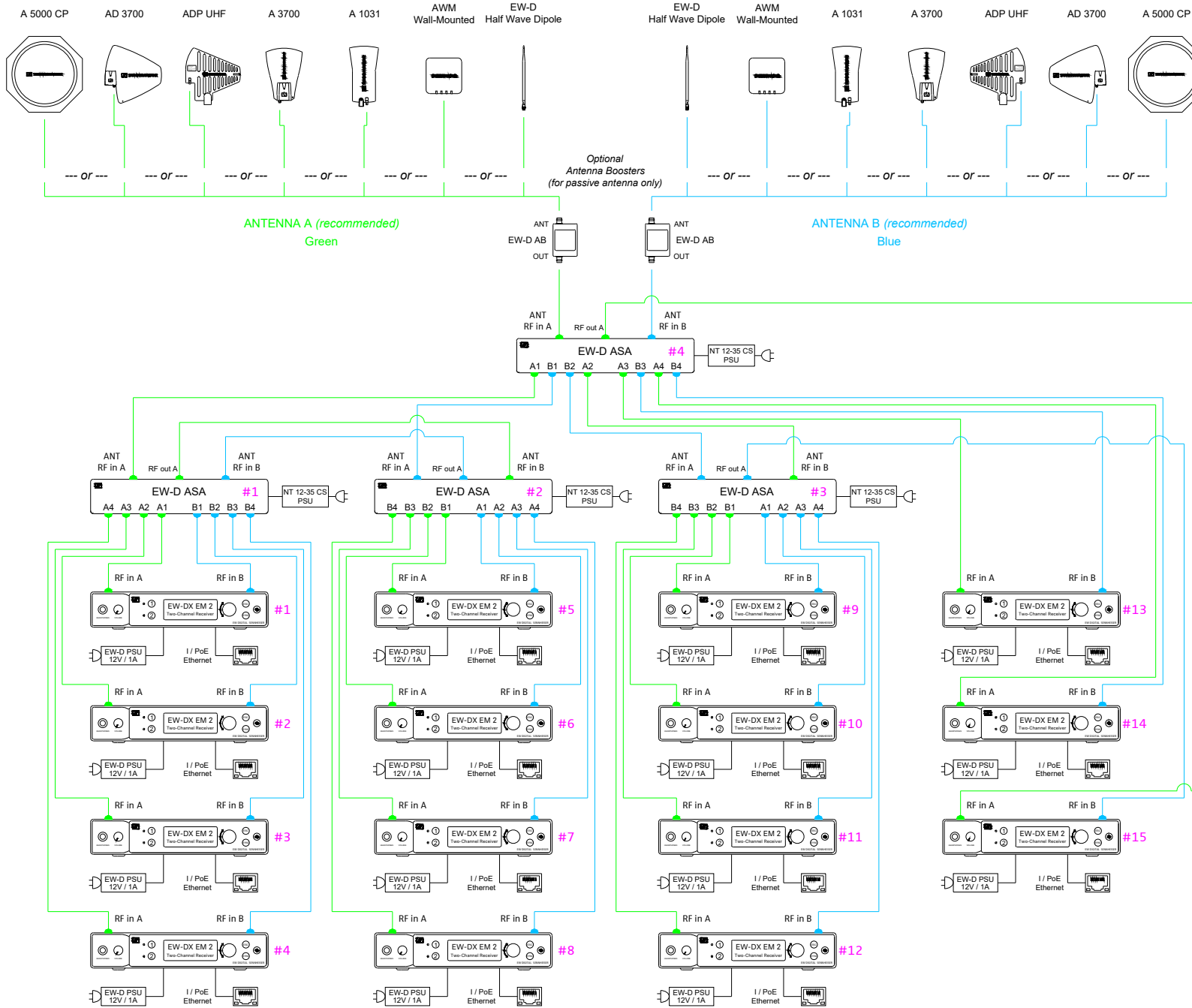
**EW-D AB & EW-D Half Wave Dipole**

Q	470 - 550 MHz
R	520 - 608 MHz
S	606 - 694 MHz
U	823 - 865 MHz
V	902 - 960 MHz
Y	1785 - 1805 MHz

→ Please contact your local Sennheiser representative for available Evolution Wireless Digital frequency ranges in your market



→ For optimal diversity operation, it is recommended to use the same antenna model and equal coax cable length on both sides



**Evolution Wireless Digital**

WIRELESS MICROPHONE SYSTEMS

Drawing name	Revision
EW-DX System Drawings	1.0

Sheet title  
RF Wiring and Antenna options

Description  
30-Channel System

**EW-DX**  
Available Frequency ranges

Q1-9	470.2 - 550 MHz
R1-9	520 - 607.8 MHz
S1-10	606.2 - 693.8 MHz
S2-10	614.2 - 693.8 MHz
S4-10	630 - 693.8 MHz
U1/5	823.2 - 831.8 MHz 863.2 - 864.8 MHz
V3-4	925.2 - 937.3 MHz
V5-7	941.7 - 951.8 MHz 953.05 - 956.05 MHz 956.65 - 959.65 MHz
Y1-3	1785.2 - 1799.8 MHz

**EW-D & EW-DX**  
Accessories Frequency ranges

**EW-D ASA (Antenna Splitter, Active)**

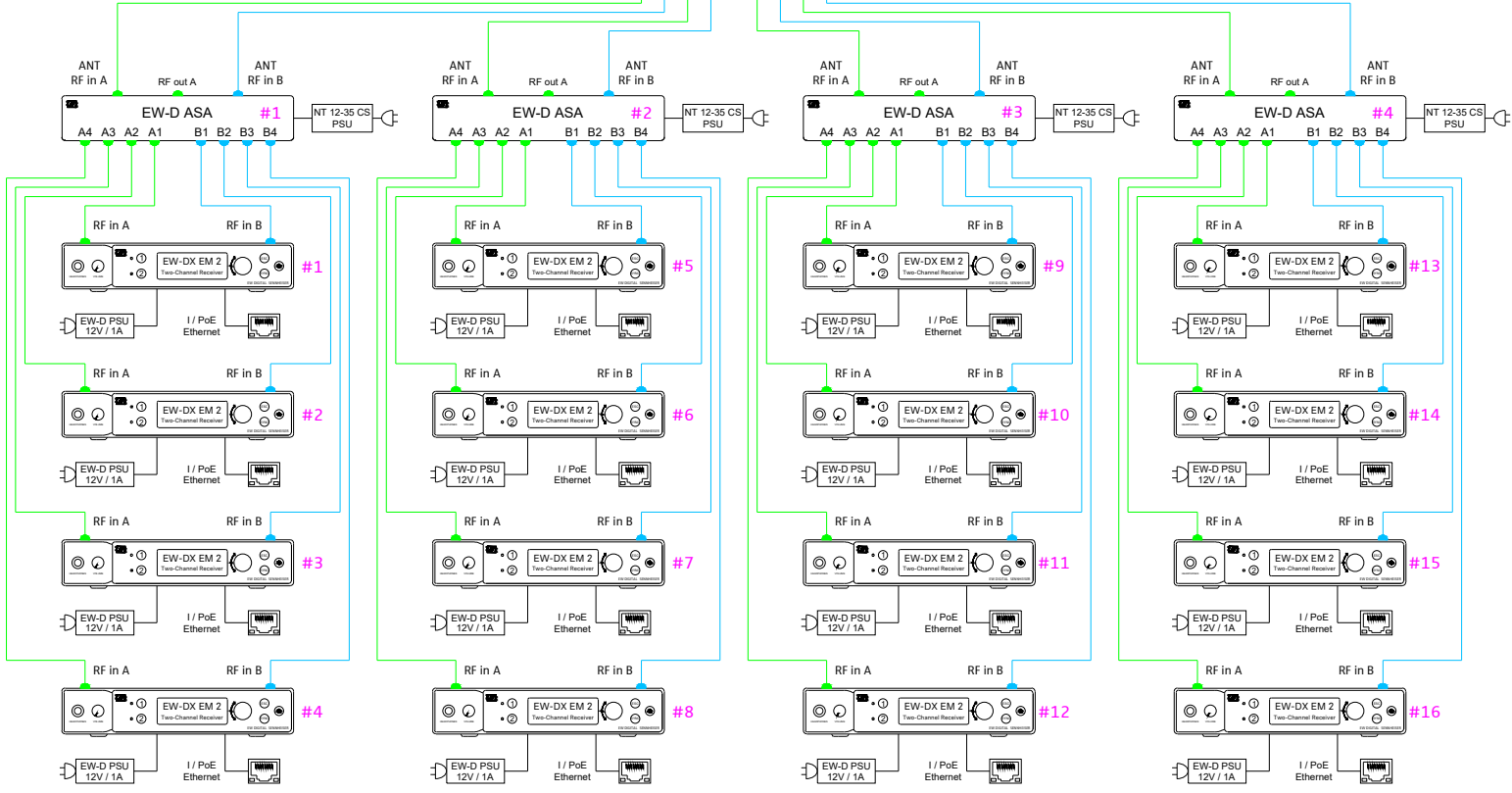
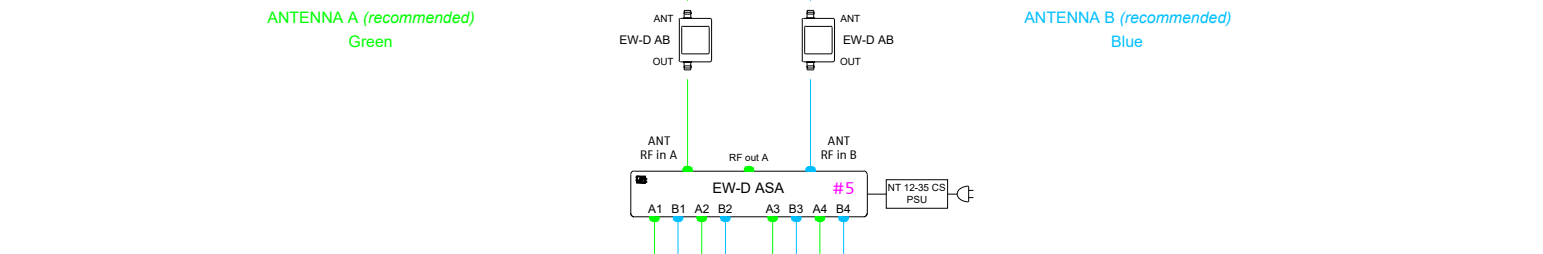
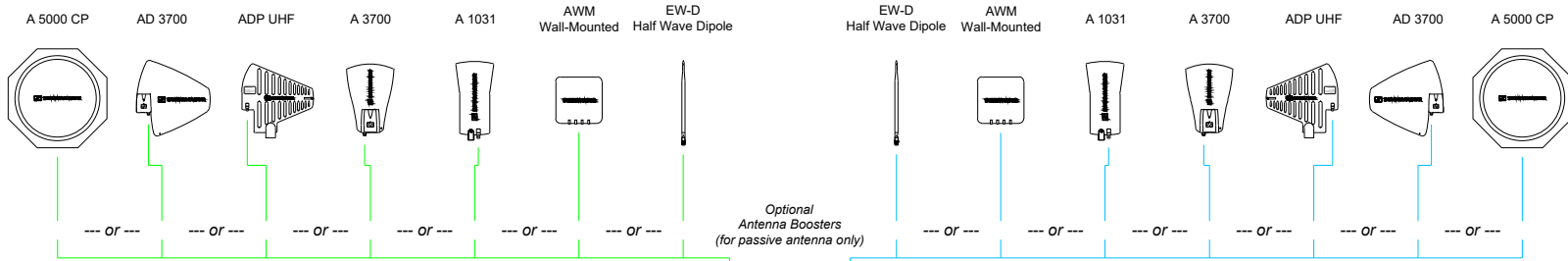
Q-R-S	470 - 694 MHz
T-U-V-W	694 - 1075 MHz
X-Y	1350 - 1805 MHz

**EW-D AB & EW-D Half Wave Dipole**

Q	470 - 550 MHz
R	520 - 608 MHz
S	606 - 694 MHz
U	823 - 865 MHz
V	902 - 960 MHz
Y	1785 - 1805 MHz

→ Please contact your local Sennheiser representative for available Evolution Wireless Digital frequency ranges in your market

→ For optimal diversity operation, it is recommended to use the same antenna model and equal coax cable length on both sides



**Evolution Wireless Digital**  
WIRELESS MICROPHONE SYSTEMS

Drawing name	Revision
EW-DX System Drawings	1.0
Sheet title	
RF Wiring and Antenna options	
Description	
32-Channel System	

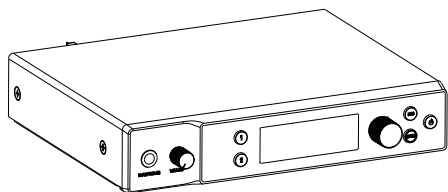
**EW-DX**  
Available Frequency ranges

Q1-9	470.2 - 550 MHz
R1-9	520 - 607.8 MHz
S1-10	606.2 - 693.8 MHz
S2-10	614.2 - 693.8 MHz
S4-10	630 - 693.8 MHz
U1/5	823.2 - 831.8 MHz 863.2 - 864.8 MHz
V3-4	925.2 - 937.3 MHz
V5-7	941.7 - 951.8 MHz 953.05 - 956.05 MHz 956.65 - 959.65 MHz
Y1-3	1785.2 - 1799.8 MHz

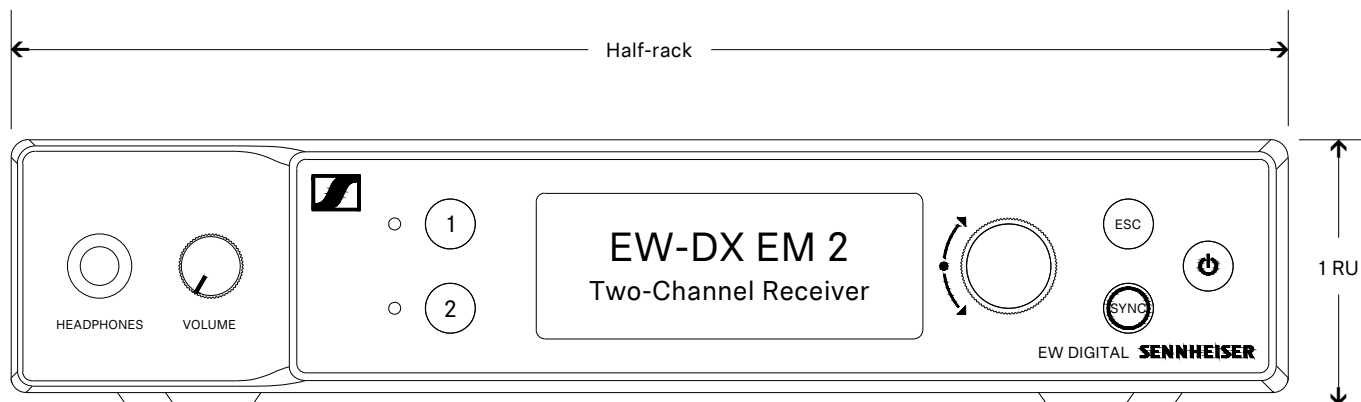
**EW-D & EW-DX**  
Accessories Frequency ranges

<b>EW-D ASA (Antenna Splitter, Active)</b>	
Q-R-S	470 - 694 MHz
T-U-V-W	694 - 1075 MHz
X-Y	1350 - 1805 MHz
<b>EW-D AB &amp; EW-D Half Wave Dipole</b>	
Q	470 - 550 MHz
R	520 - 608 MHz
S	606 - 694 MHz
U	823 - 865 MHz
V	902 - 960 MHz
Y	1785 - 1805 MHz

→ Please contact your local Sennheiser representative for available Evolution Wireless Digital frequency ranges in your market



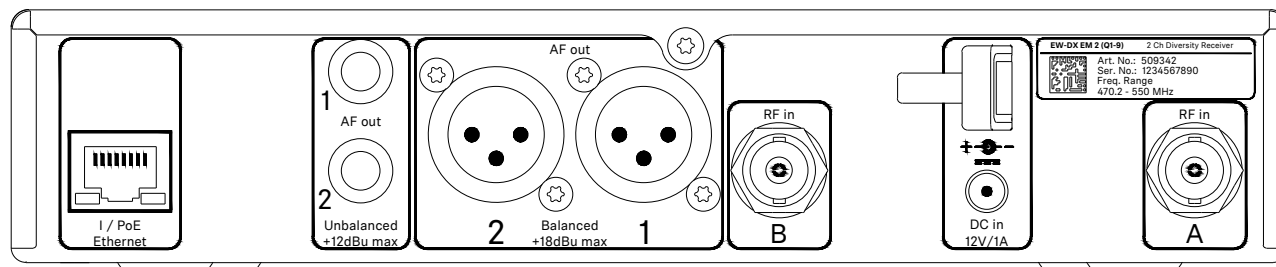
FRONT View



- ↑  
6.3mm (1/4")  
Stereo Jack
- ↑  
Volume Control  
for Headphones
- ↑  
Display  
Channel Selector
- ↑  
OLED Display
- ↑  
Rotary Encoder
- ↑  
ESC  
&  
SYNC  
Buttons
- ↑  
Power Button

PSU  
Cable Grip  
↓

REAR View



- ↑  
RJ45 Shielded  
Receptacle
- ↑  
2x 6.3mm (1/4")  
Phone Jacks
- ↑  
2x XLR-3 Male  
Receptacles
- ↑  
BNC Female  
50 Ohm Receptacle
- ↑  
DC  
Power Jack
- ↑  
BNC Female  
50 Ohm Receptacle

**Evolution Wireless Digital**  
WIRELESS MICROPHONE SYSTEMS

*Drawing name*  
EW-DX System Drawings

*Revision*  
1.0

*Sheet title*  
EM 2, Two-Channel Receiver

*Description*  
Detailed view, Front & Rear

**EW-DX**  
Available Frequency ranges

Q1-9	470.2 - 550 MHz
R1-9	520 - 607.8 MHz
S1-10	606.2 - 693.8 MHz
S2-10	614.2 - 693.8 MHz
S4-10	630 - 693.8 MHz
U1/5	823.2 - 831.8 MHz 863.2 - 864.8 MHz
V3-4	925.2 - 937.3 MHz
V5-7	941.7 - 951.8 MHz 953.05 - 956.05 MHz 956.65 - 959.65 MHz
Y1-3	1785.2 - 1799.8 MHz

**EW-D & EW-DX**  
Accessories Frequency ranges

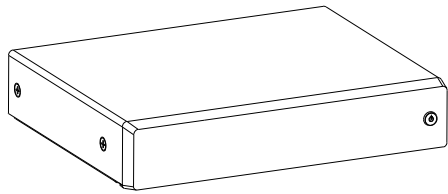
**EW-D ASA (Antenna Splitter, Active)**

Q-R-S	470 - 694 MHz
T-U-V-W	694 - 1075 MHz
X-Y	1350 - 1805 MHz

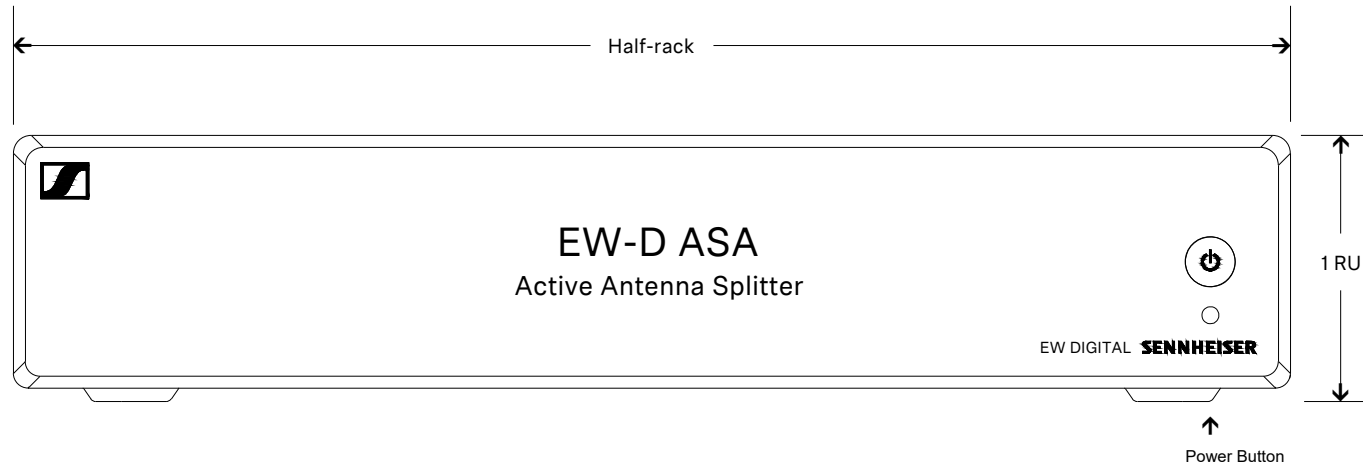
**EW-D AB & EW-D Half Wave Dipole**

Q	470 - 550 MHz
R	520 - 608 MHz
S	606 - 694 MHz
U	823 - 865 MHz
V	902 - 960 MHz
Y	1785 - 1805 MHz

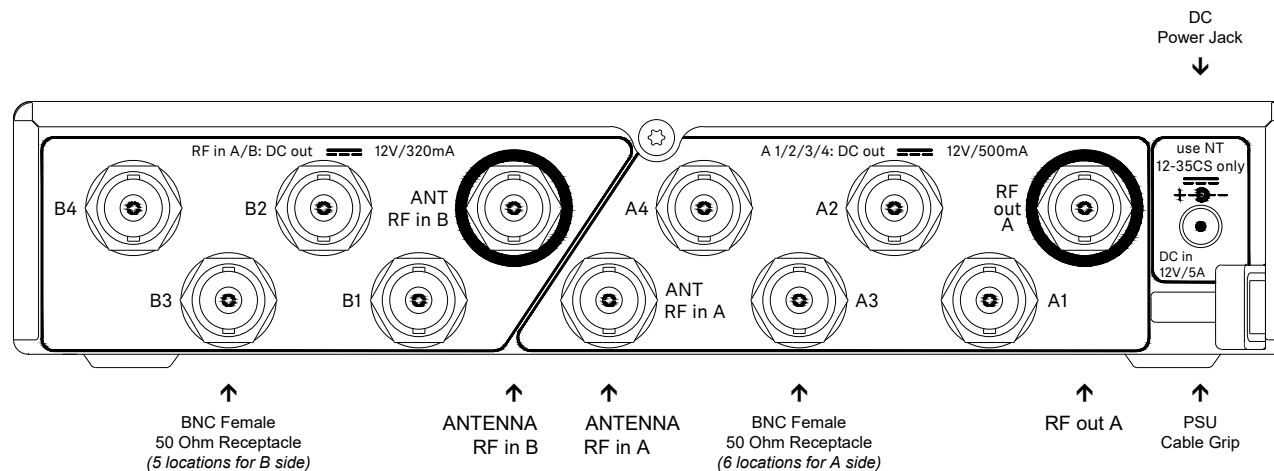
→ Please contact your local Sennheiser representative for available Evolution Wireless Digital frequency ranges in your market



FRONT View



REAR View



**Evolution Wireless Digital**  
WIRELESS MICROPHONE SYSTEMS

Drawing name	Revision
EW-DX System Drawings	1.0

Sheet title  
EX-D ASA, Active Antenna Splitter

Description  
Detailed view, Front & Rear

**EW-DX**  
Available Frequency ranges

Q1-9	470.2 - 550 MHz
R1-9	520 - 607.8 MHz
S1-10	606.2 - 693.8 MHz
S2-10	614.2 - 693.8 MHz
S4-10	630 - 693.8 MHz
U1/5	823.2 - 831.8 MHz 863.2 - 864.8 MHz
V3-4	925.2 - 937.3 MHz
V5-7	941.7 - 951.8 MHz 953.05 - 956.05 MHz 956.65 - 959.65 MHz
Y1-3	1785.2 - 1799.8 MHz

**EW-D & EW-DX**  
Accessories Frequency ranges

**EW-D ASA (Antenna Splitter, Active)**

Q-R-S	470 - 694 MHz
T-U-V-W	694 - 1075 MHz
X-Y	1350 - 1805 MHz

**EW-D AB & EW-D Half Wave Dipole**

Q	470 - 550 MHz
R	520 - 608 MHz
S	606 - 694 MHz
U	823 - 865 MHz
V	902 - 960 MHz
Y	1785 - 1805 MHz

→ Please contact your local Sennheiser representative for available Evolution Wireless Digital frequency ranges in your market