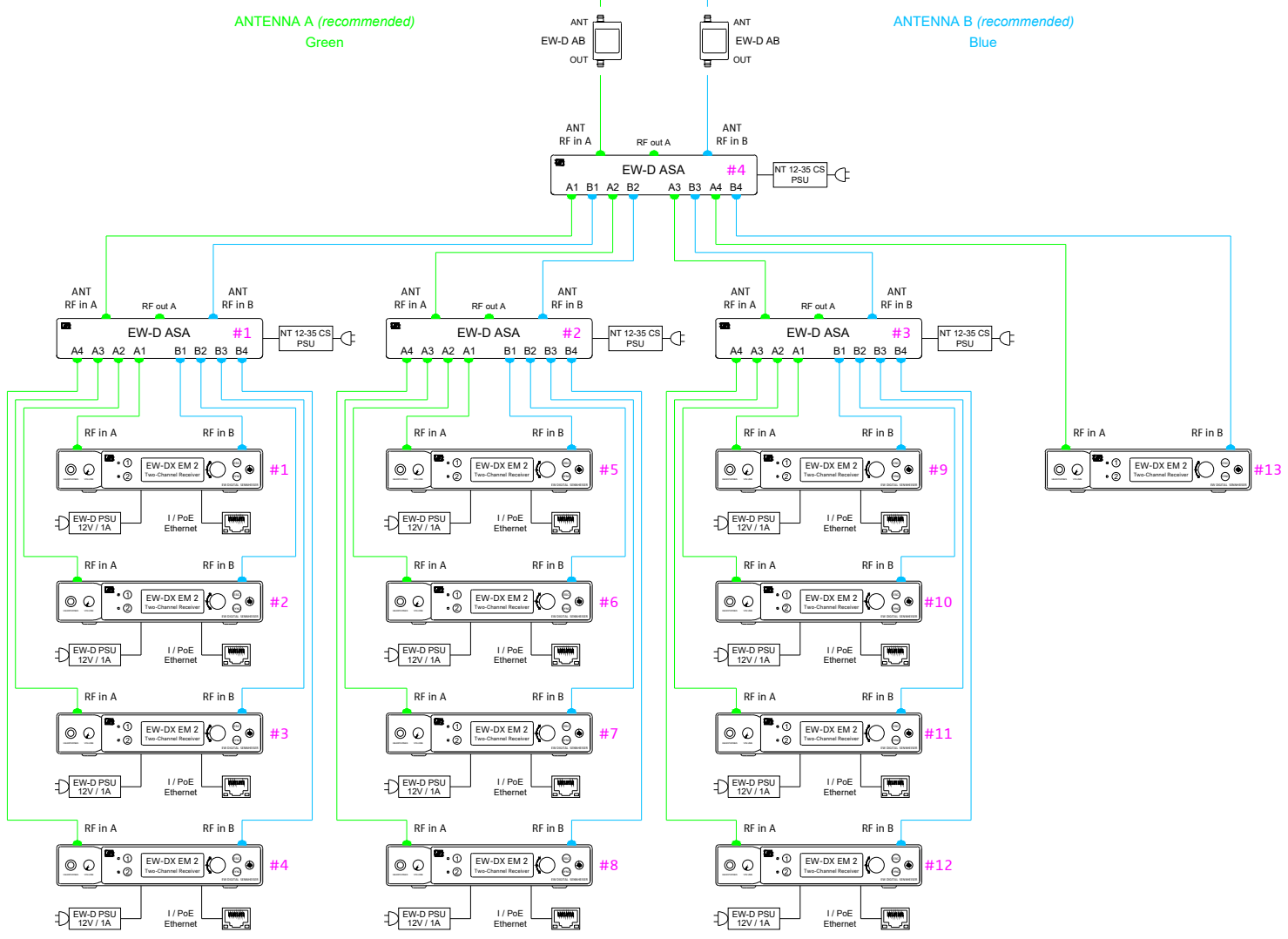
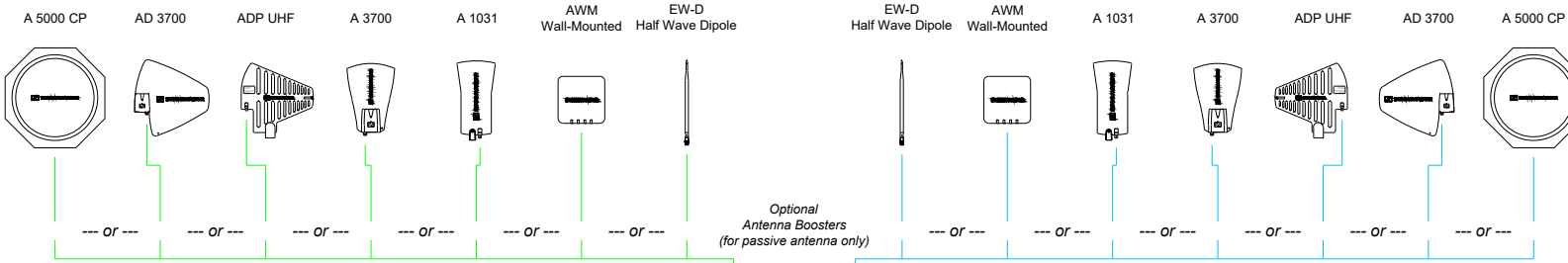


→ For optimal diversity operation, it is recommended to use the same antenna model and equal coax cable length on both sides



Evolution Wireless Digital	
WIRELESS MICROPHONE SYSTEMS	
Drawing name	Revision
EW-DX System Drawings	1.0
Sheet title	
RF Wiring and Antenna options	
Description	
26-Channel System	

EW-DX	
Available Frequency ranges	
Q1-9	470.2 - 550 MHz
R1-9	520 - 607.8 MHz
S1-10	606.2 - 693.8 MHz
S2-10	614.2 - 693.8 MHz
S4-10	630 - 693.8 MHz
U1/5	823.2 - 831.8 MHz 863.2 - 864.8 MHz
V3-4	925.2 - 937.3 MHz
V5-7	941.7 - 951.8 MHz 953.05 - 956.05 MHz 956.65 - 959.65 MHz
Y1-3	1785.2 - 1799.8 MHz

EW-D & EW-DX	
Accessories Frequency ranges	
EW-D ASA (Antenna Splitter, Active)	
Q-R-S	470 - 694 MHz
T-U-V-W	694 - 1075 MHz
X-Y	1350 - 1805 MHz
EW-D AB & EW-D Half Wave Dipole	
Q	470 - 550 MHz
R	520 - 608 MHz
S	606 - 694 MHz
U	823 - 865 MHz
V	902 - 960 MHz
Y	1785 - 1805 MHz

→ Please contact your local Sennheiser representative for available Evolution Wireless Digital frequency ranges in your market