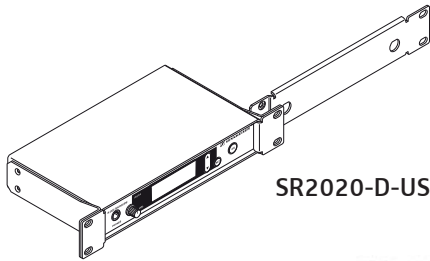


SR2020-D-US System Configurations

SR2020-D-US SINGLE

RF System Package for single channel applications.

Qty	Model	Description
1	SR2020-D-US	Rack-mountable RF transmitter
1	AM2	BNC cables for front-mounting antennas
5	HDE2020-D-US	Six-channel RF stethoset receivers
1	EZL2020-20L	Carry case with charger for (20) HDE2020-D-US receivers
1	ADASignageKit	ADA Signage kit



SR2020-D-US



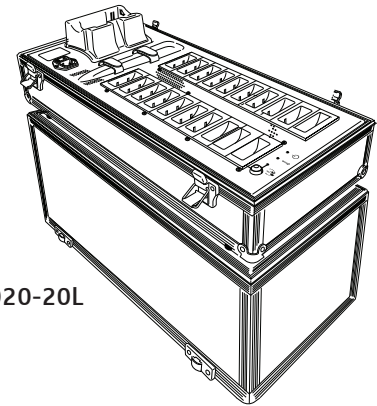
AM2



ADA Signage Kit



HDE2020-D-US receiver
plus 4 additional receivers

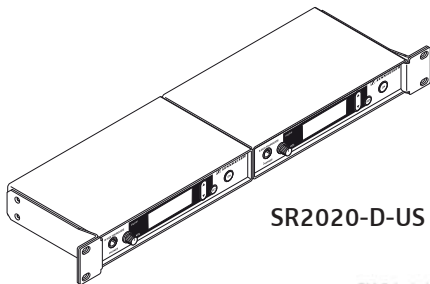


EZL2020-20L

SR2020-D-US DUAL

RF System Package for two channel applications.

Qty	Model	Description
2	SR2020-D-US	Rack-mountable RF transmitter
1	AM2	BNC cables for front-mounting antennas
5	HDE2020-D-US	Six-channel RF stethoset receivers
1	EZL2020-20L	Carry case with charger for (20) HDE2020-D-US receivers
1	ADASignageKit	ADA Signage kit



SR2020-D-US



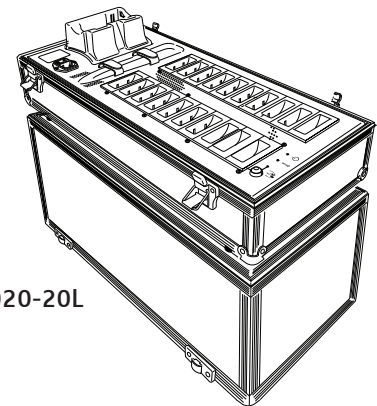
AM2



ADA Signage Kit



HDE2020-D-US receiver
plus 4 additional receivers



EZL2020-20L

Tourguide 2020 System Configurations

TG 2020-20 Handheld System, includes:

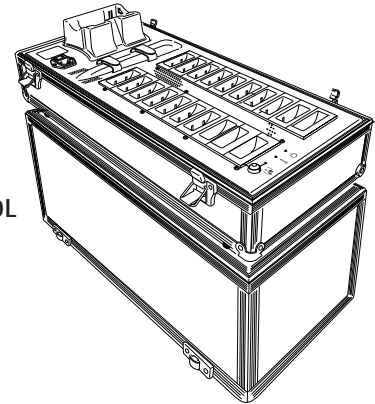
Qty	Model	Description
1	SKM2020-D-US	Handheld transmitter
1	EZL2020-20L	Charger/carry case
20	HDE2020-D-US	Six channel stethophone digital RF receiver



SKM2020-D-US



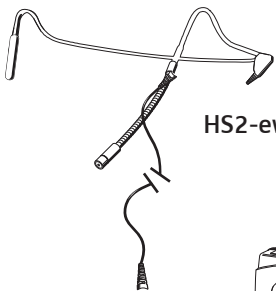
HDE2020-D-US receiver
plus 19 additional receivers



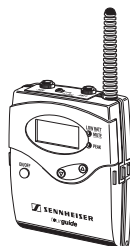
EZL2020-20L

TG 2020-20 Bodypack System, includes:

Qty	Model	Description
1	SK2020-D-US	Bodypack transmitter
1	HS2-ew	Headset microphone
1	EZL2020-20L	Charger/carry case
20	HDE2020-D-US	Six channel stethophone digital RF receiver



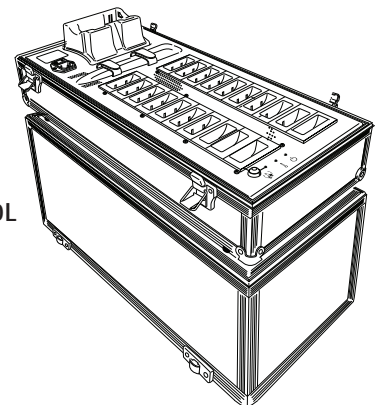
HS2-ew



SK2020-D-US



HDE2020-D-US receiver
plus 19 additional receivers



EZL2020-20L