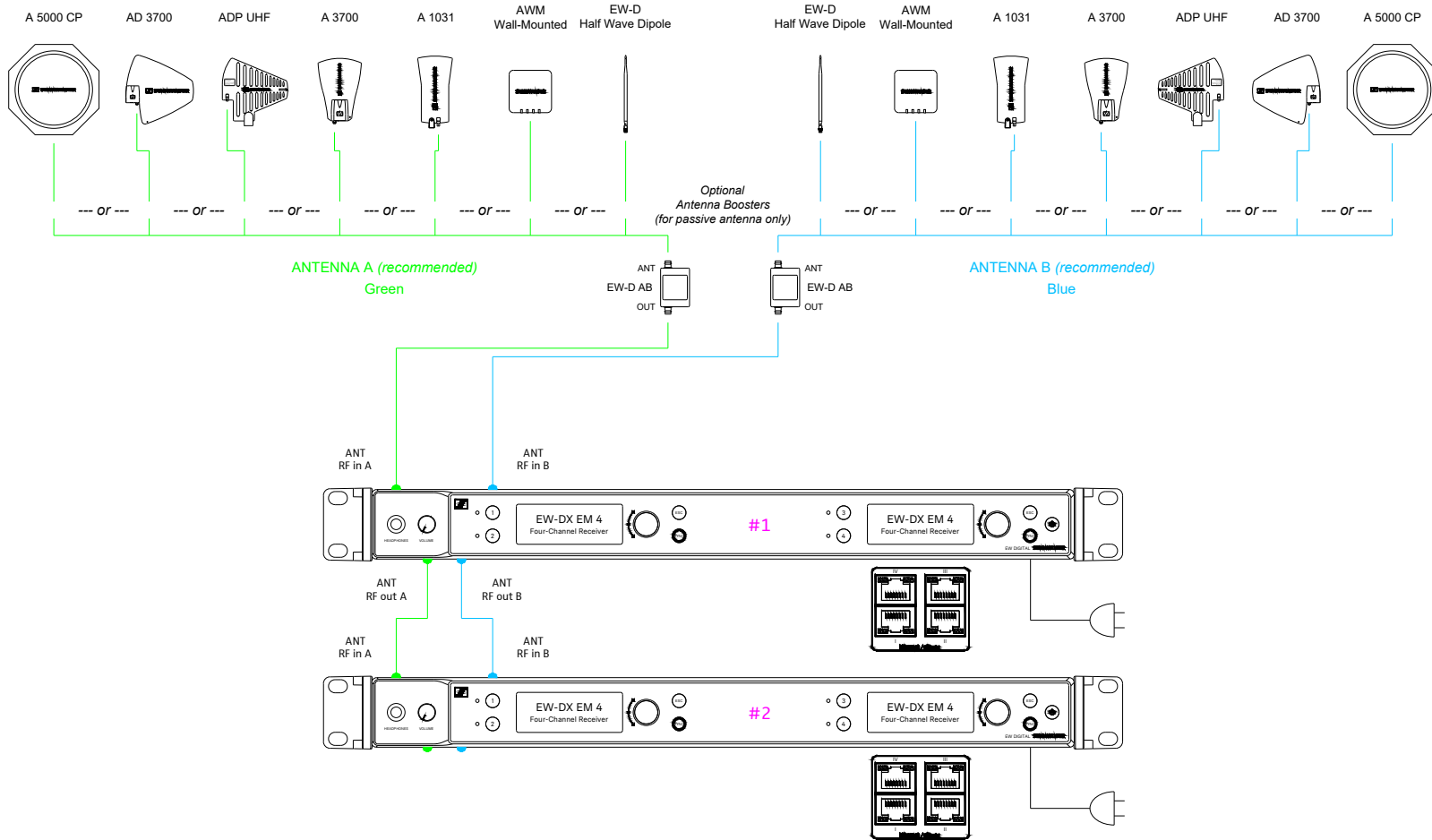


→ For optimal diversity operation, it is recommended to use the same antenna model and equal coax cable length on both sides



Channels 1 to 8

→ Please contact your local Sennheiser representative for available Evolution Wireless Digital frequency ranges in your market



Evolution Wireless Digital
WIRELESS MICROPHONE SYSTEMS

Drawing name: EW-DX System Drawings
Revision: 1.0

Sheet title: RF Wiring and Antenna options

Description: EM 4 Dante; 8-Ch. System

EM 2 Dante / EM 4 Dante
Available Frequency ranges

| | |
|-------|---|
| Q1-9 | 470.2 - 550 MHz |
| R1-9 | 520 - 607.8 MHz |
| S2-10 | 614.2 - 693.8 MHz |
| U1/5 | 823.2 - 831.8 MHz 863.2 - 864.8 MHz |
| V5-7 | 941.7 - 951.8 MHz 953.05 - 956.05 MHz 956.65 - 959.65 MHz |
| Y1-3 | 1785.2 - 1799.8 MHz |

EW-D & EW-DX
Accessories Frequency ranges

EW-D ASA (Antenna Splitter, Active)

| | |
|---------|-----------------|
| Q-R-S | 470 - 694 MHz |
| T-U-V-W | 694 - 1075 MHz |
| X-Y | 1350 - 1805 MHz |

EW-D AB & EW-D Half Wave Dipole

| | |
|---|-----------------|
| Q | 470 - 550 MHz |
| R | 520 - 608 MHz |
| S | 606 - 694 MHz |
| U | 823 - 865 MHz |
| V | 902 - 960 MHz |
| Y | 1785 - 1805 MHz |

AWM wall-mount antenna

| | |
|--------|-----------------|
| UHF I | 470 - 694 MHz |
| UHF II | 823 - 1075 MHz |
| 1G8 | 1785 - 1805 MHz |