



EW-DX EM 2 Dante

Network connection guide



EW-DX EM 2 Network connection guide

Assignment of the sockets

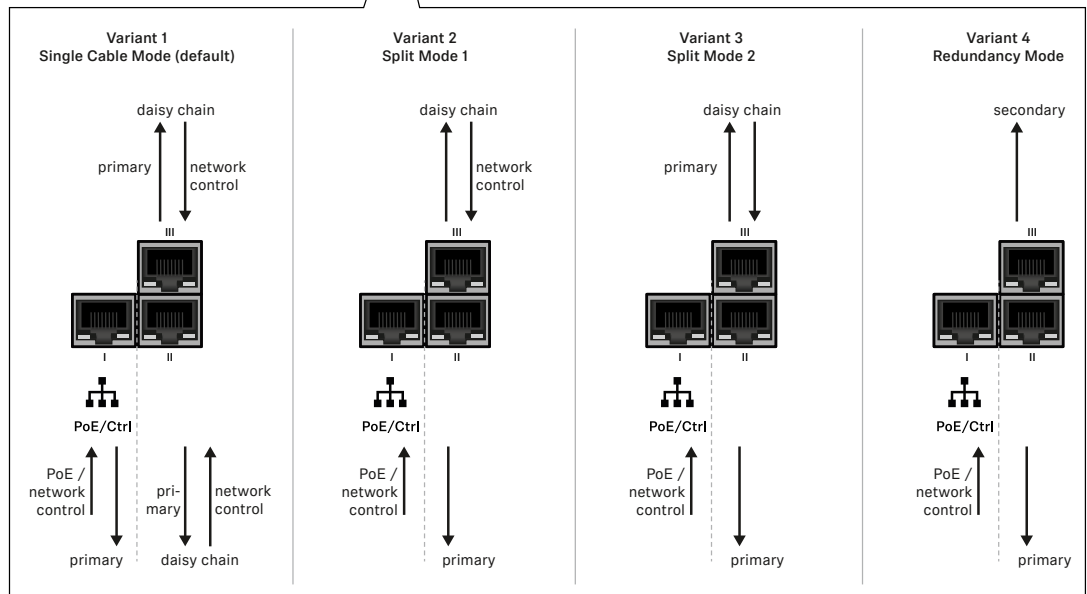
PoE = Power over Ethernet

Ctrl = Network control for e. g. Wireless Systems Manager, Sennheiser Control Cockpit or 3rd party media control

Daisy chain = Daisy-Chain for cascading

Primary = Dante primary

Secondary = Dante secondary



For information about the Dante Controller, please visit the Audinate website:

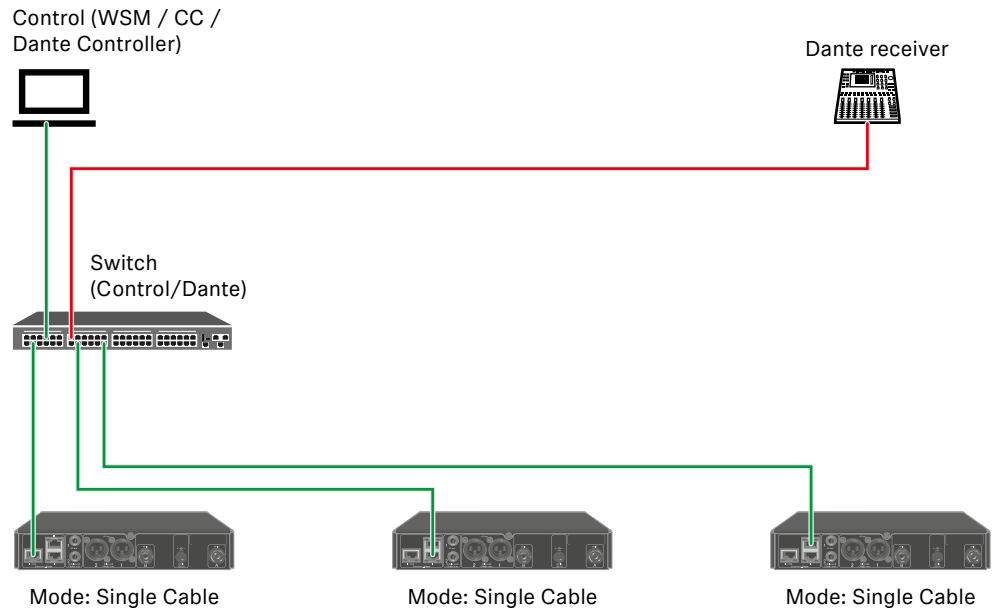
www.audinate.com



Connections and mode settings

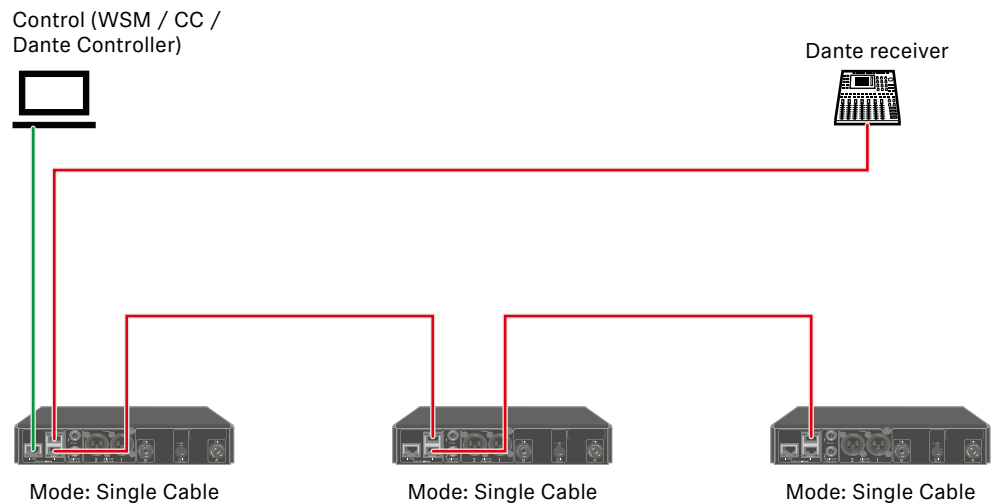
Single Cable Mode

Default



The cable can be connected to socket I, II or III.

Daisy-chain

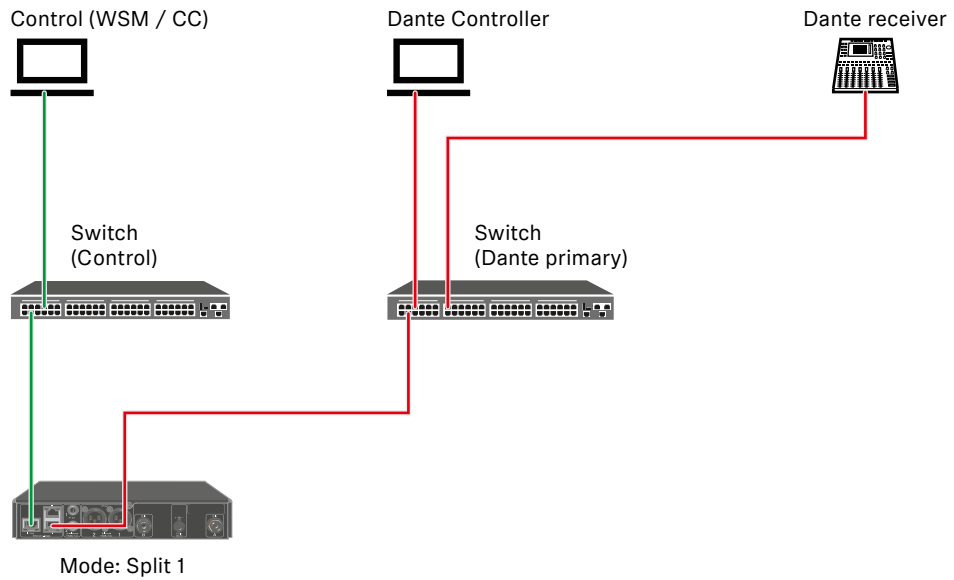




Split Mode 1

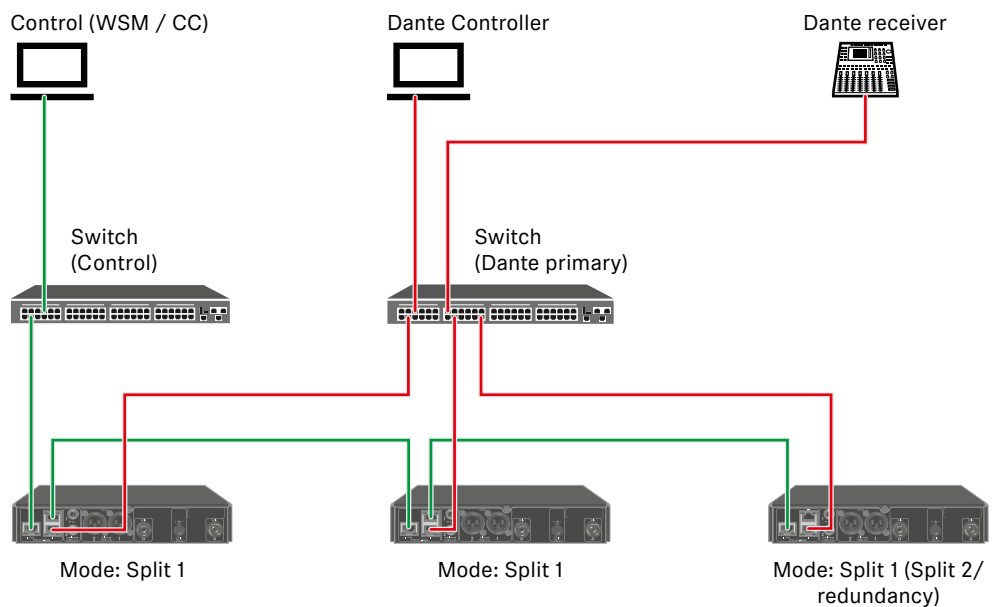
Split 1 without daisy-chain

— Control
— Dante primary



Split 1 with daisy-chain

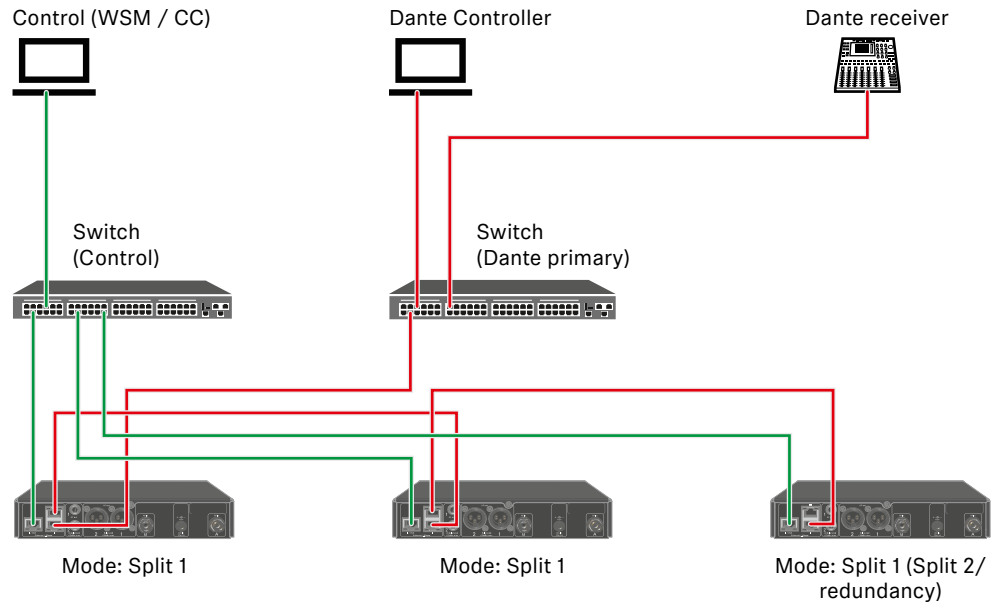
— Control
— Dante primary





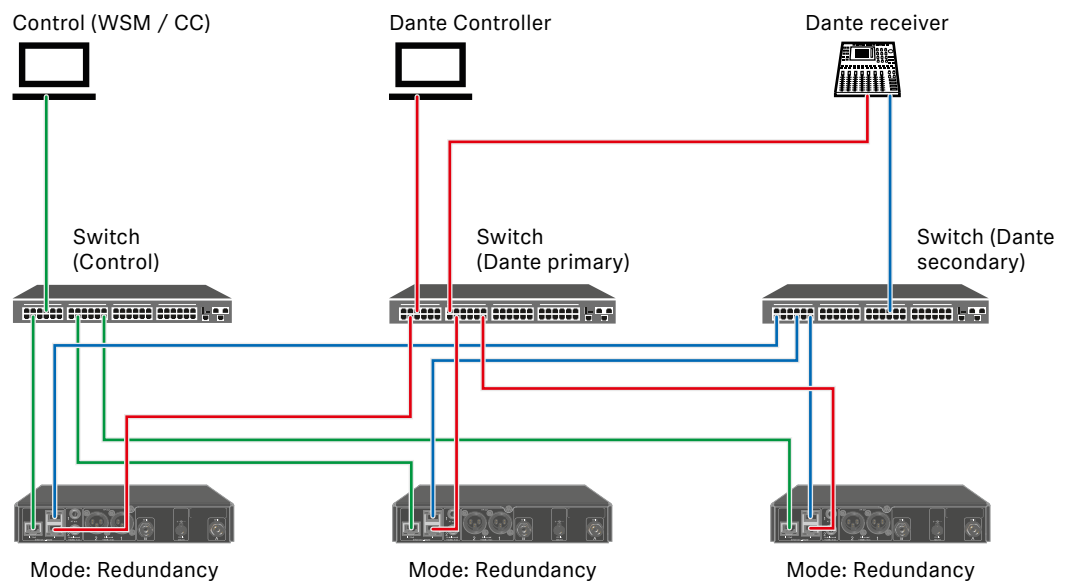
Split Mode 2

- Control
- Dante primary



Redundancy Mode

- Control
- Dante primary
- Dante secondary





IP Configuration

To change the network connection open the **Network Mode** menu item:

- ▷ In the System menu, navigate to the **Network** menu item.



- ▷ Press the **jog dial** to open the menu.
- ▷ Rotate the **jog dial** to navigate through the Network menu and select the **Network Mode** menu item.



You can make the following settings here:

- Single Cable
- Split Mode 1
- Split Mode 2
- Redundancy Mode