



MKH 8018

Shotgun microphone

Quick Guide

Kurzanleitung
Guide rapide
Guía rápida
Guía de inicio rápido
Guia rápido
Beknopte handleiding
Krótka instrukcja obsługi
Snabbguide

Kort vejledning

Pikaohje
Γρήγορος οδηγός
Kısa Kilavuz
Краткая инструкция
快速指南
快速使用指南
クイックガイド
퀵 가이드



SENNHEISER



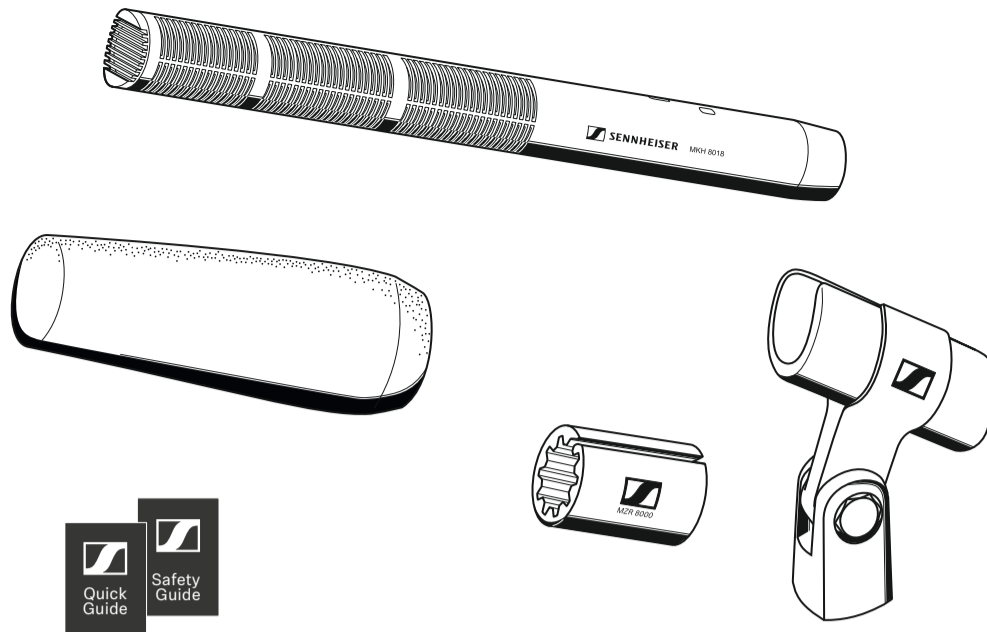
www.sennheiser.com/download

Sennheiser electronic SE & Co. KG

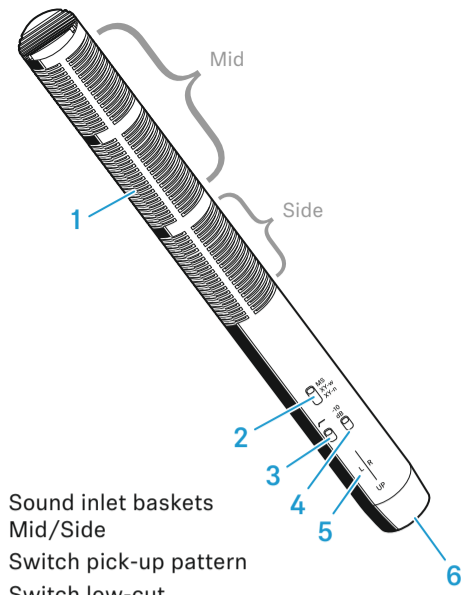
Am Labor 1, 30900 Wedemark, Germany
www.sennheiser.com

Printed in Germany, Publ. 03/25, 597230/A02

In the box

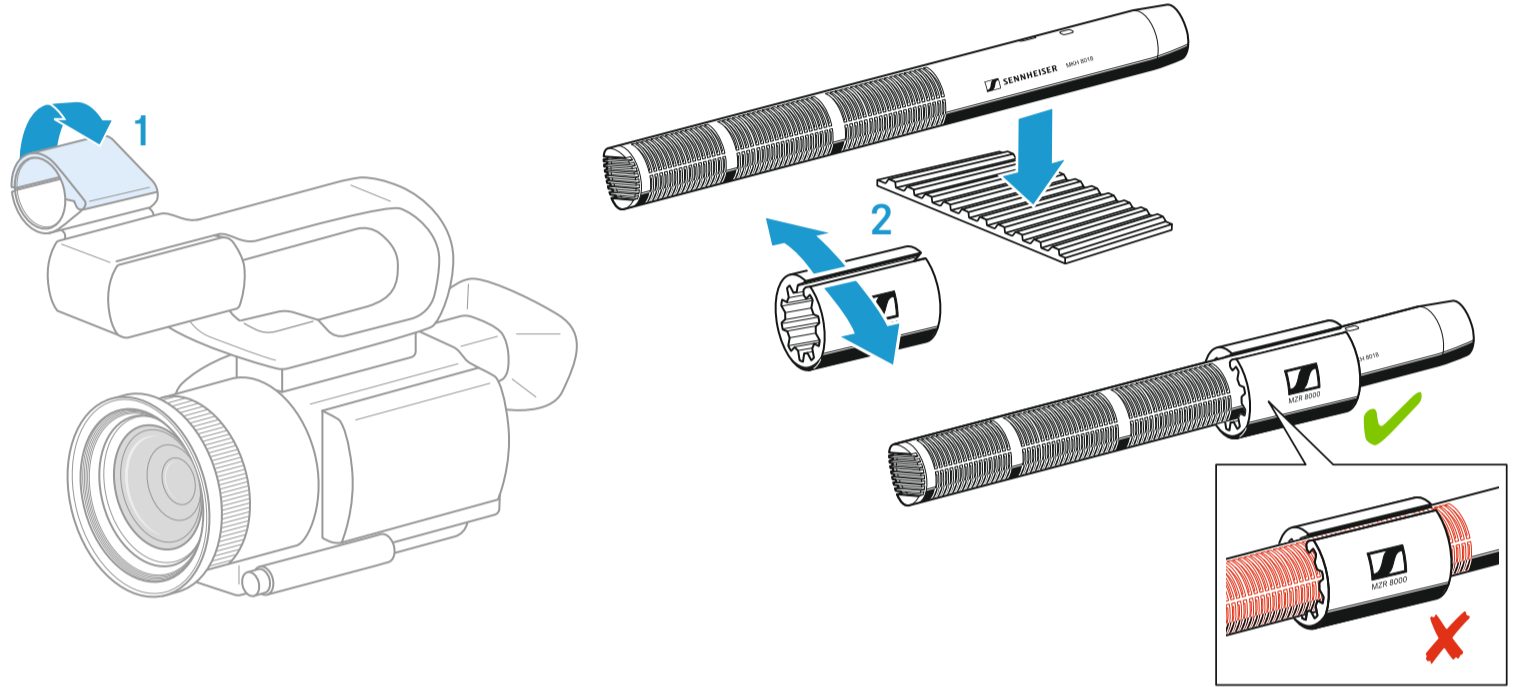


Overview



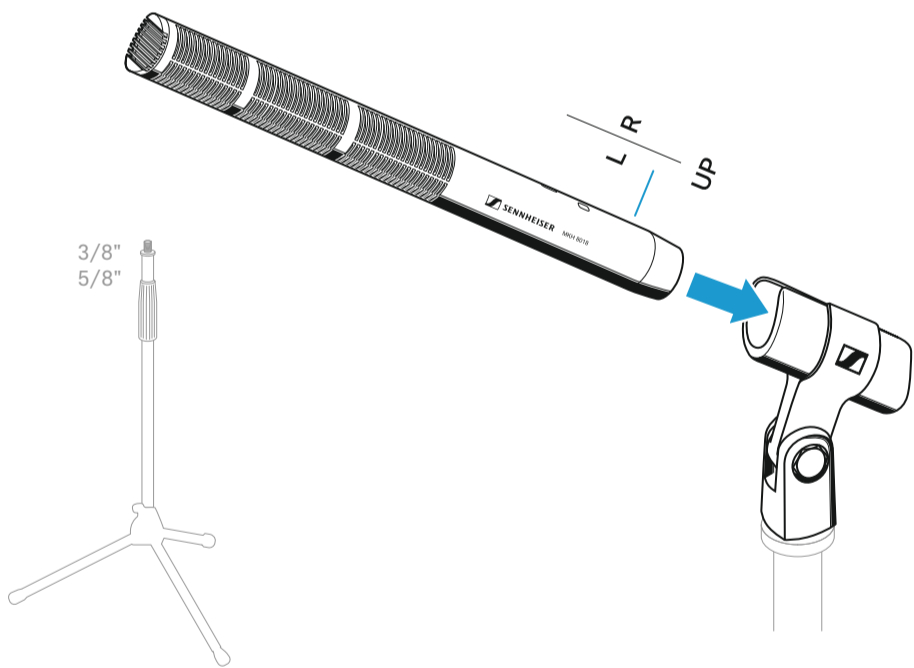
- 1 Sound inlet baskets Mid/Side
- 2 Switch pick-up pattern
- 3 Switch low-cut
- 4 Switch pad
- 5 Left | Right + UP markings
- 6 XLR-5 socket

Setup



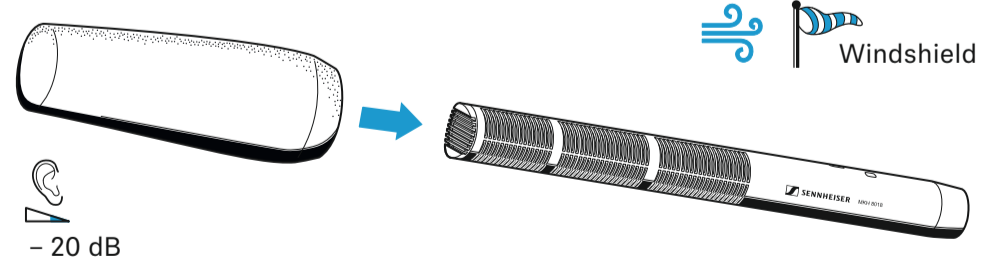
A

Setup

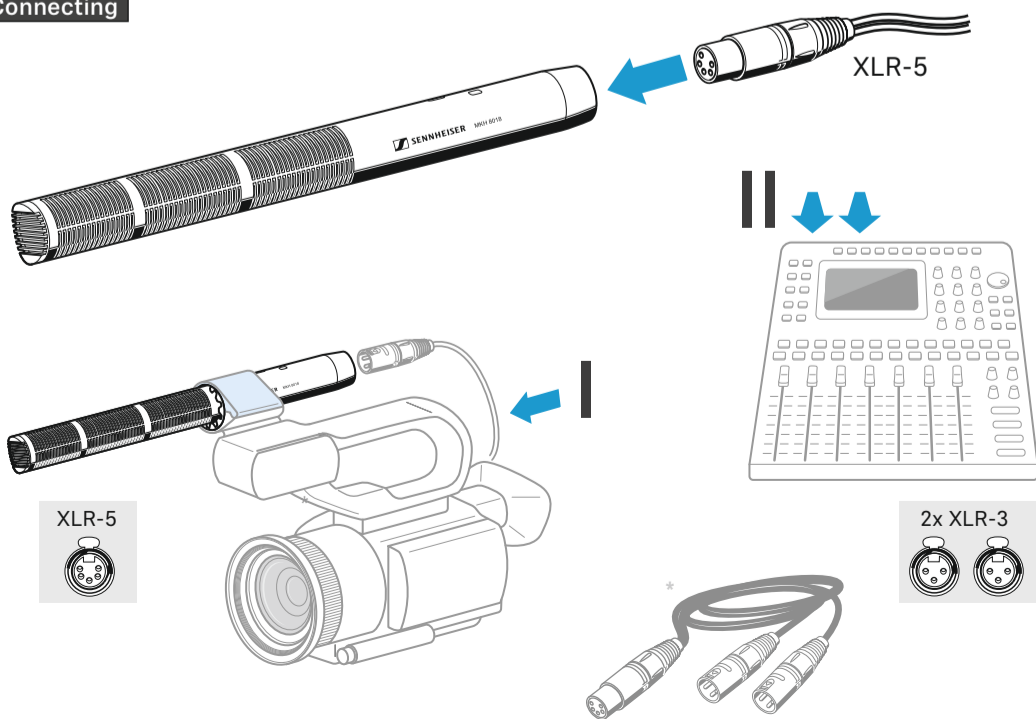


B

Outdoor use



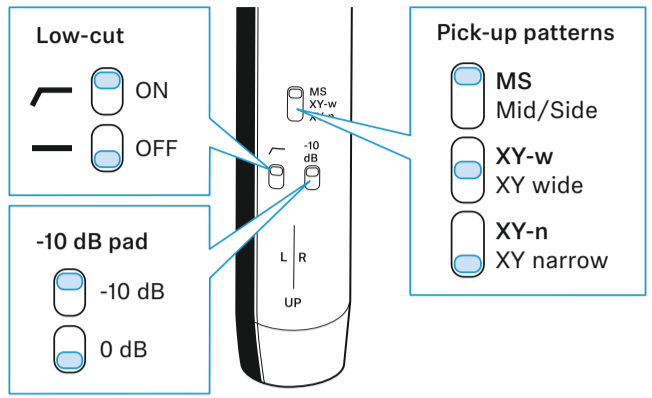
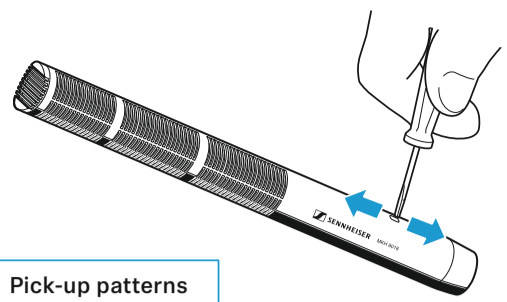
Connecting



Outdoor use accessories



Settings

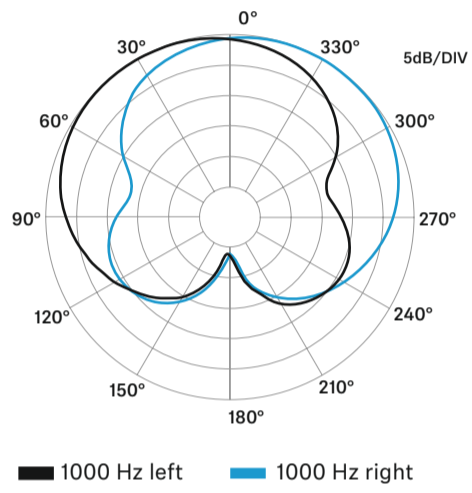


Specifications

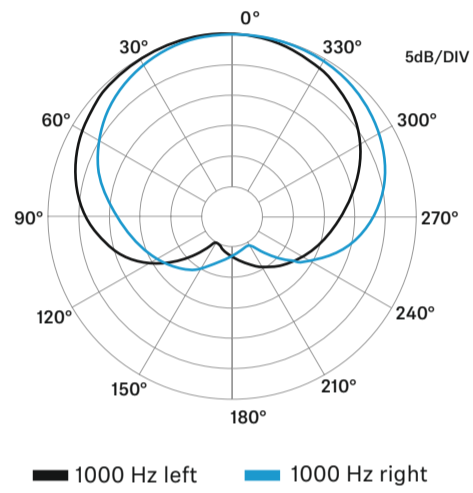
Pick-up pattern	stereo shotgun				
Frequency response	40 Hz - 20,000 Hz				
Sensitivity at free field, no load at 1 kHz		M-Channel	S-Channel	XY Narrow	XY Wide
	• mV/Pa	56	25	50	32
	• dB ref (1V/Pa)	-25	-32	-26	-30
Equivalent noise level					
• dB A-weighted		12	14.5	12	13
• dB CCIR-weighted		24	25	24	25
Nominal impedance at 1 kHz	430 Ω				
Min. load impedance	4.7 kΩ				
Low-cut filter (switchable)	-3 dB @ 70 Hz				
Attenuation (switchable)	-10 dB				
Power supply	P48 phantom powering (IEC 61938)				
Current consumption	2x 3.4 mA				
Max. SPL	> 126 dB				
Connector	XLR-5M				
Weight	115 g				
Diameter	∅ 22 mm				
Length	approx. 230 mm				
Operating temperature	-10 °C to 60 °C (14 °F to 140 °F)				
Storage temperature	-20 °C to 70 °C (-4 °F to 158 °F)				
Relative humidity	5 to 95%, non condensing				

Polar pattern XY

XY wide



XY narrow

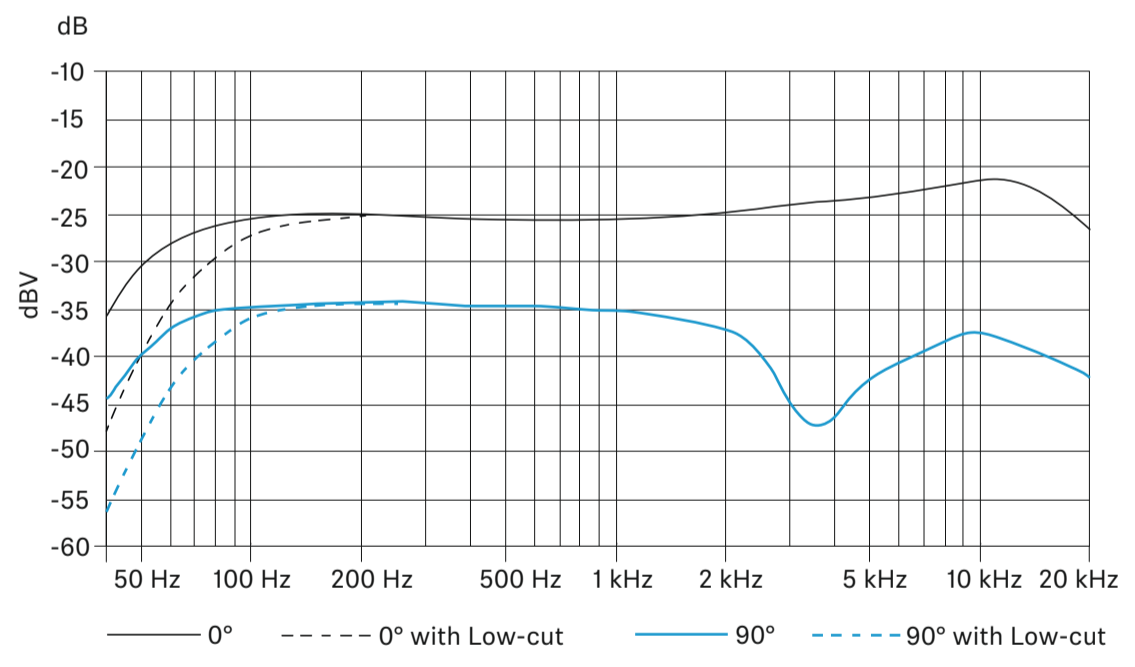
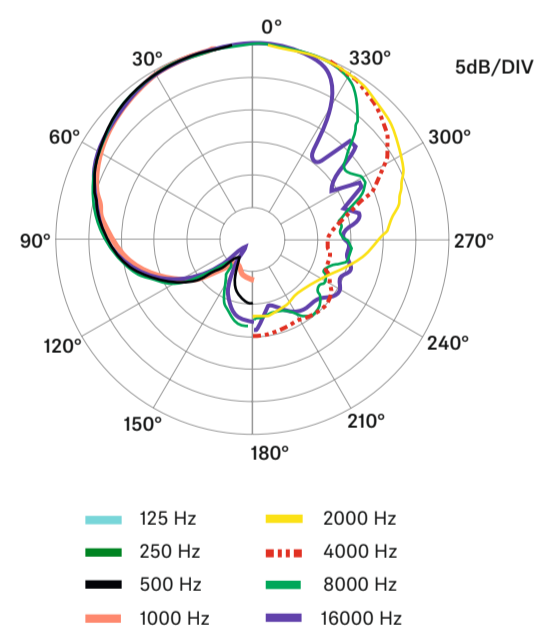


XLR-5M Pin assignment



Polar pattern and frequency response M-Channel

Mid



Polar pattern and frequency response S-Channel

Side

